

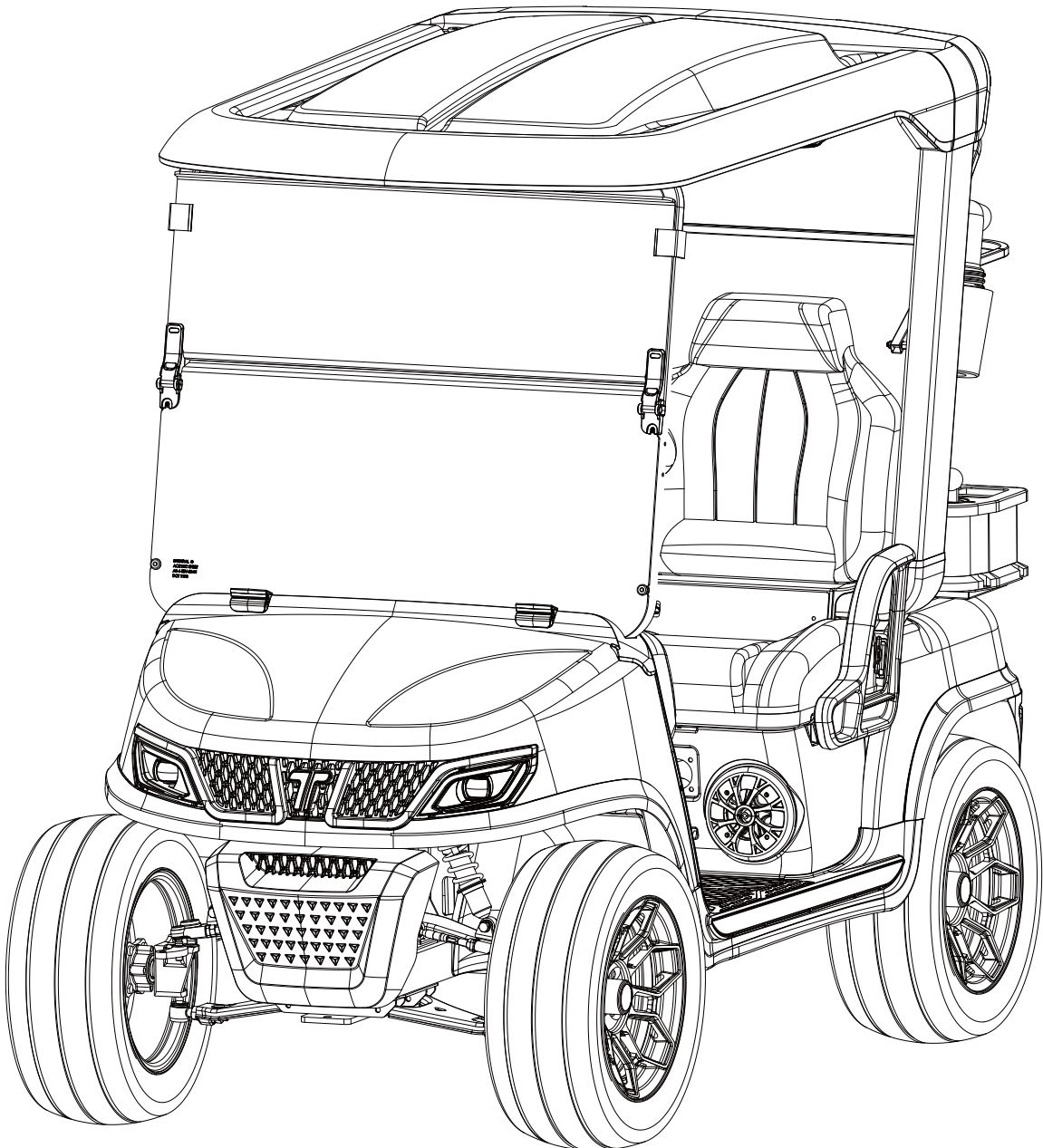


# TARA ELECTRIC VEHICLES

## USER'S MANUAL OF SPIRIT AIR & SPIRIT PLUS MODEL

Zero Emissions. Zero Hassles. Zero Compromises.

V1.0



## THANK YOU!

---

Thank you for choosing this vehicle. This User's Manual provides information on everything you need to know for your operation with TARA models.

This manual contains important information that you will need for the proper operation and handling of your vehicles.

TARA is not liable for errors in this manual or for incidental or consequential damages that result from the use of the material in this manual. In order to ensure all the information is correct, there may be changes to make according to improvements of the products at the time of printing, we reserve the right to make corrections as well as product alterations and improvements at any time without notice. Trademarks are the property of Tara Electric Vehicles, Inc. or their respective owners.

Read this user's manual before starting off in your new vehicle. It contains important information on the operation of your vehicle, entertainment, storage and cooling systems that will help you make full use of the technical features they offer. Any updates made after the editorial deadline can be found in the appendix of the printed User's Manual for the vehicle. You can find supplementary information in the additional brochures in dealership show rooms.



Read all of this manual to become thoroughly familiar with this vehicle. Particularly important information is emphasized in this manual.  
The use of non Original Equipment Manufacturer (OEM) approved parts may void the warranty.  
Tampering with or adjusting the governor to permit vehicle to operate at above factory specifications will void the vehicle warranty.

# USER'S MANUAL LITHIUM-ION BATTERY POWERED VEHICLE

## **SPIRIT AIR SPIRIT SERIES SPIRIT PLUS**

### STARTING MODEL YEAR 2024

1. The TARA Electric vehicles is known in this manual as the "TARA".
  2. Unless otherwise stated, applicable low-speed vehicle definitions and abbreviations are used throughout this document. Refer also to Golf Car Terminologies for additional definitions and abbreviations.
  3. Appendices form part of, and have the same status as these regulations.
  4. The editing practices used in this document are as follows:
    - (a) 'Shall' or 'Will' or 'Must' is used to indicate a mandatory requirement.
    - (b) 'Should' is used to indicate a recommendation.
  - © 'May' is used to indicate discretion by TARA, the industry or the applicant, as appropriate.
- Note: The use of the "male" gender implies all genders.
5. Paragraphs and sub-paragraphs with new, amended and corrected text will be enclosed within brackets until a subsequent "amendment" is issued.

#### TO CONTACT US

TARA ELECTRIC VEHICLES INC

California Headquarters: 15865 Quality Wy, Chino, CA 91708 USA

Phone: 909-590-4922

<b>SAFETY INFORMATION .....</b>	<b>1</b>
Important Safety Information .....	1
Battery Safety Information .....	2
Lithium-ion Battery Recycling.....	3
Vehicle Safety Labels .....	4
<b>VEHICLE SERIAL NUMBER LOCATION .....</b>	<b>6</b>
Vehicle Serial Number .....	6
<b>VEHICLE FEATURES .....</b>	<b>7</b>
Vehicle Overview.....	7
Dashboard.....	7
Luxury Seat .....	8
Rear Part of Vehicle .....	8
Control Switches .....	9
<b>OPERATION AND CONTROLS .....</b>	<b>10</b>
Pre-operation Safety and Performance Inspection .....	10
Start The Vehicle .....	14
Forward/Neutral/Reverse Control .....	14
Cigarette Lighter & USB Charger Outlet .....	15
Remove The Seat.....	15
Open/Close Golf Bag Cover.....	16
Adjusting The Height of The Steering Column.....	16
Check The Circuitry .....	16
Accelerator Pedal.....	17
Brake Pedal.....	17
Release The EM Brake .....	17

---

BATTERY CHARGER .....	18
<hr/>	
Battery Charger Specification .....	18
Lithium Battery .....	19
Lithium Battery Meter .....	20
Battery Charger .....	21
How to Use Charger .....	22
Charger Led Display .....	23
Led Fault Codes .....	23
<hr/>	
WHEELS & TIRES .....	24
<hr/>	
VEHICLE MAINTENANCE .....	25
<hr/>	
Charger Maintenance .....	25
Vehicle Maintenance .....	26
Vehicle Scheduled Maintenance Chart .....	27
Chassis Maintenance .....	28
Jobs to Be Done Prior to The Storage .....	29
Bring The Vehicle Back to Service from Storage .....	29
Vehicle Transportation and Towing .....	30
<hr/>	
LIFT AND LOWER THE VEHICLE .....	31
<hr/>	
VEHICLE GENERAL SPECIFICATION.....	32
<hr/>	
MAINTENANCE LOG .....	35

Read all the safety statements carefully before attempting any procedure.

## IMPORTANT SAFETY INFORMATION

Observe these NOTICES, CAUTIONS, WARNINGS and DANGERS; be aware that servicing a vehicle requires mechanical skill and regard for conditions that could be hazardous. Improper service or repair may damage the vehicle or render it unsafe.






Replace missing, damaged or unreadable safety decals immediately to prevent possible property damage, personal injury, or death. Purchase replacement safety decals from your dealer or distributor.

Know and understand the laws and regulations for vehicle operations in your area. For any questions on material contained in this manual, contact an authorized representative for clarification.

The components of the Save LIVES package are:

Speed management, Leadership, Infrastructure design, Vehicle safety standards, Enforcement of traffic laws and Survival after a crash.

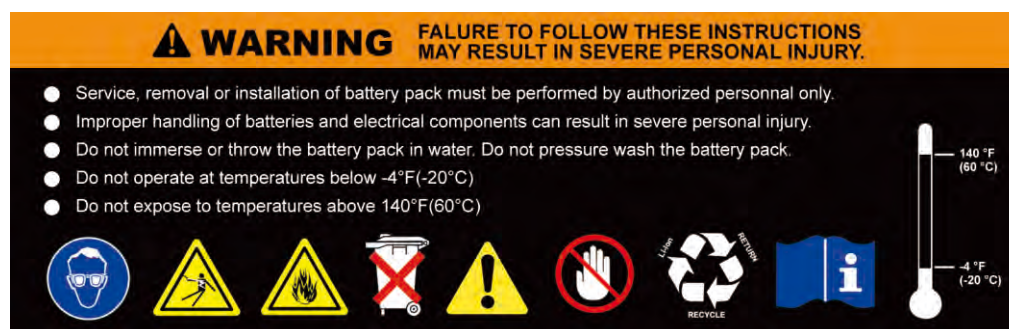
Safe vehicles play a critical role in averting crashes and reducing the likelihood of serious injury.

IMPORTANT SAFETY INFORMATION	
	The safety alert symbol is used to alert you for possible personal injury hazards. Obey all safety regulations that follow this symbol to prevent possible injuries or death.
	A DANGER label identifies hazardous situations which may cause death or serious injuries.
	A WARNING label identifies hazardous situations which may cause death or serious injuries.
	A CAUTION label identifies hazardous situations which may cause minor or moderate injuries.
	A NOTICE label identifies hazardous situations which may cause property damages.









Read all the safety statements carefully before attempting any procedure.

## BATTERY SAFETY INFORMATION

Safety and warning labels are on the lithium battery for your protection. Read and comply with the instructions on the labels to avoid the potential risks or injuries. If any labels shown below are damaged, come off or become illegible, contact your TARA dealers for replacements.



Battery Warning Decal

	While working on a li-ion battery wear protective eyeglasses and clothing
	Electrical shock hazard. The terminals of a li-ion battery are always live, therefore do not place metallic items or tools on top of a li-ion battery. Avoid short circuits.
	Explosion and fire hazard. The terminals of a li-ion battery are always live, therefore do not place metallic items or tools on top of a li-ion battery. Avoid short circuits.
	Batteries must not be mixed with domestic or industrial waste .
	Do not open or dismantle the battery. Electrolyte is very corrosive. If the battery casing is damaged do not touch the exposed electrolyte or powder because it is corrosive.
	Do not touch any electrical components without any insulation protection.
	Batteries marked with the recycling symbol must be processed via a recognized recycling agency.
	Observe these instructions and keep them located near the battery for future. Read, understand and comply with all warnings and instructions.

Read all the safety statements carefully before attempting any procedure.

## LITHIUM-ION BATTERY DISPOSAL



- Lithium -ion batteries are recyclable.
- Lithium-ion batteries must be collected and recycled separately from other waste.
- Do not discard lithium-ion batteries as municipal waste.
- Speak with your dealer or distributor about returning or recycling used or damaged battery packs.
- Contact local or state environmental department for disposal information.

### WARNING

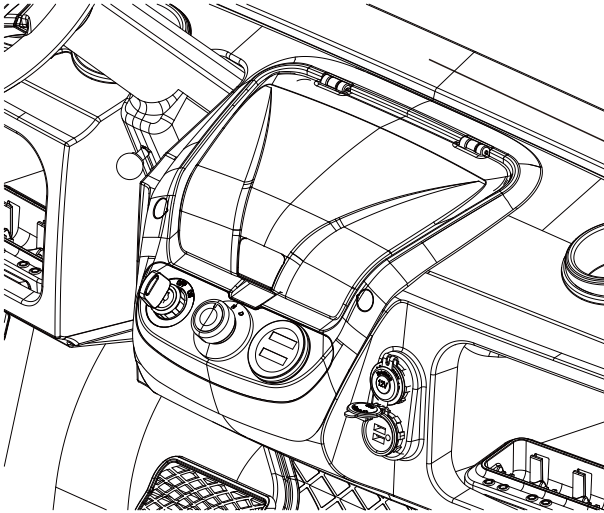
**Failure to operate the vehicles as instructed can cause collision, loss of control or roll over, resulting in severe injury or death. Follow all safety warnings or labels in this owner manual. All operators must read, understand and comply with these warnings and labels before operating the vehicles. Follow the safety information and operating procedures described.**

- Operate your vehicle responsibly to prevent dangerous conditions for the operator, passengers and other people in the area of operation.
- Operate your vehicle responsibly and keep the vehicle in a safe condition of operation.
- The driver must keep both hands on the steering wheel and both feet on the floor or pedals.
- Inspect the vehicle before each use to make sure it is in safe operating condition. Perform the daily inspection described in this manual.
- Always have the vehicle checked by an authorized dealer if it is involved in an accident.
- Remove the key when the vehicle is not in use to prevent accidental starting or unauthorized use.
- Drive the vehicle at appropriate speeds for the terrain and conditions. Be aware of environmental conditions that affect the terrain and your ability to control the vehicle.
- Do not drive on excessively steep hills. Evaluate the terrain before descending a hill. Drive slowly and deliberately. Use the brake to limit speed and maintain control. Sudden braking or turning can cause the vehicle to lose control. Drive straight up or down the hill; do not drive across the hill.
- Operate only in approved areas. Follow all applicable safety rules for the area.



Read all the safety statements carefully before attempting any procedure.

## VEHICLE SAFETY LABELS LOCATION



**⚠**
**WARNING**

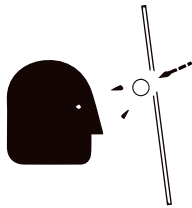
ROLLOVER OR FALLING OFF MAY CAUSE SERIOUS INJURY OR DEATH.

- Before using vehicle, read operating instructions.
- Do not start vehicle until all occupants are seated.
- Keep entire body inside vehicle while moving.
- Drive at a low, steady speed when taking turns or operating on inclines.
- Keep vehicle as straight as possible on inclines to avoid sliding or overturning.
- Use brakes to control speed when coasting downhill.
- Never operate under the influence of alcohol or drugs.
- For use by authorized persons in designated areas only.

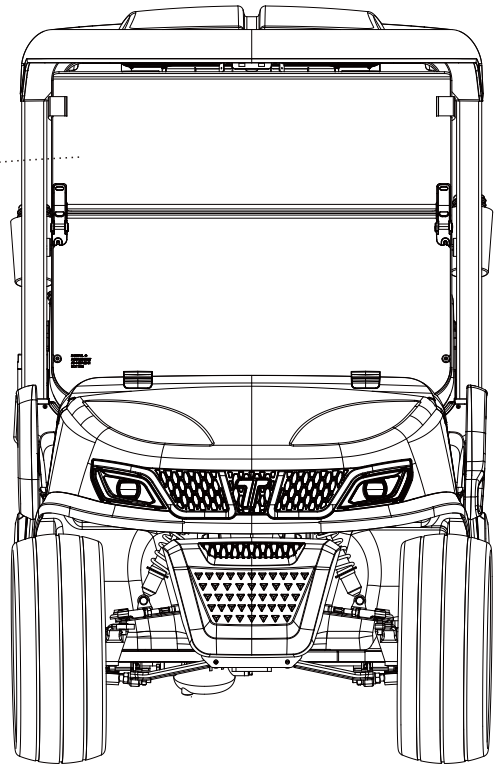
- Remain seated while moving.
- Operate from driver side only.
- Never operate on public roads.
- Hold on to handle rail while moving.
- One (1) person per seat maximum.
- Never stand in front of or behind vehicle.
- Do not leave children unattended on vehicle.

TARA 20240715002

### ⚠ WARNING

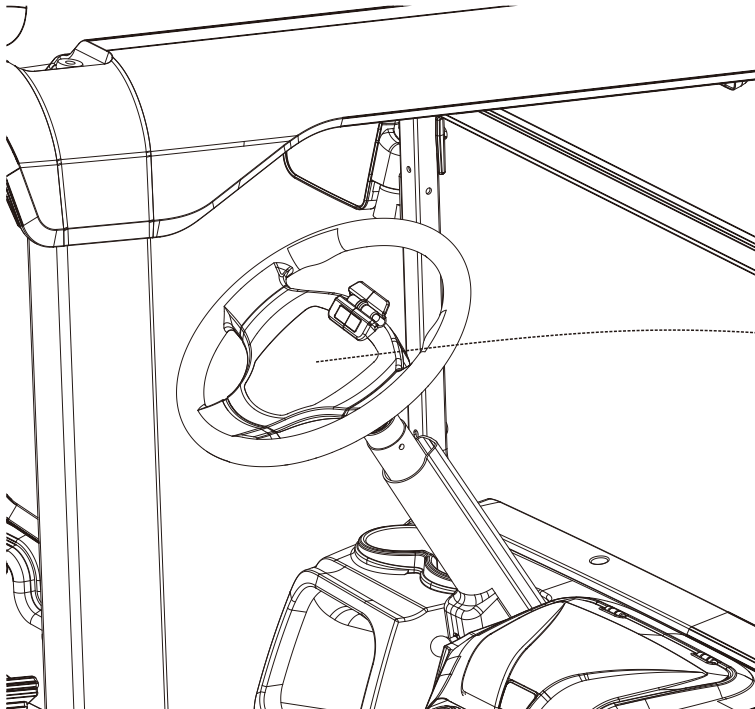


Windshields do not provide protection from golf balls or other flying objects.



Read all the safety statements carefully before attempting any procedure.

## VEHICLE SAFETY LABELS LOCATION



**OPERATING INSTRUCTIONS**

- Read owner's manual and dash-mounted safety warnings prior to driving.
- Study and understand controls.

**TO OPERATE**

- Turn wheels to desired direction and ensure path is clear.
- Turn key to ON position.
- While stopped, place Forward/Reverse switch in desired position: D-Drive N-Neutral R-Reverse (Buzzer will sound).
  - Press accelerator pedal to release parking brake.
  - Slowly press accelerator pedal to increase speed.
  - To stop, release accelerator pedal and press brake pedal.

**BEFORE LEAVING**

- Press parking brake pedal until it locks and holds vehicle.
- Place Forward/Reverse switch in NEUTRAL position.
- Turn key OFF and remove key when not in use.

**MOTOR BRAKING**

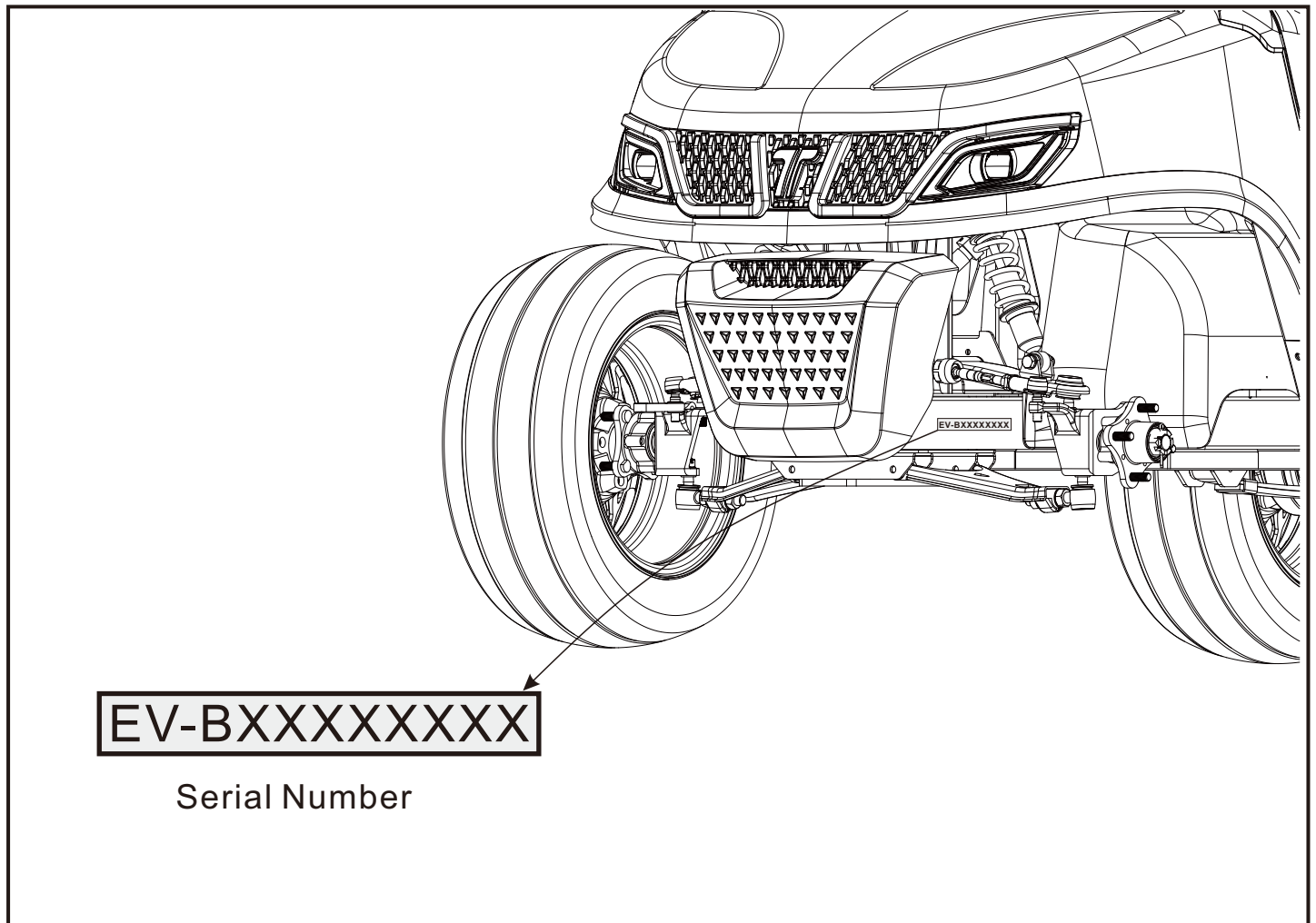
- Electric motor braking provides speed regulation functions.
- Apply brakes to control vehicle speed as required.
- System is activated only when switch is in the DRIVE position.
- When towing this vehicle, switch must be in the NEUTRAL position.

REV 202207001

Be familiar with vehicle features before attempting any operations.

## VEHICLE SERIAL NUMBERS

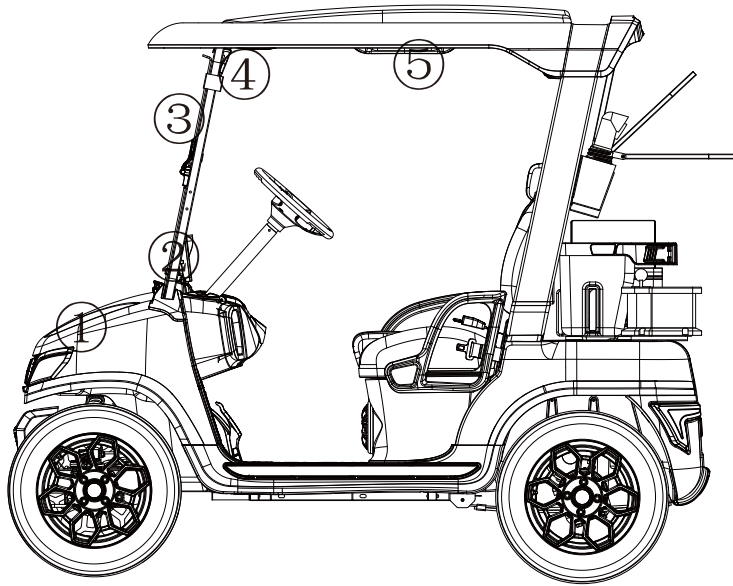
All vehicles have serial numbers on the left side of the chassis frame. The EV represents electric vehicles. The other numbers are the vehicle's serial number given by the TARA corporation. All the vehicles are documented. After the vehicles are sold out of the factory, TARA corporation will track the vehicles by using the vehicle's serial number as identity. Serial numbers are warranty insurance from TARA corporation. Customers should be aware of the importance of vehicle serial numbers.



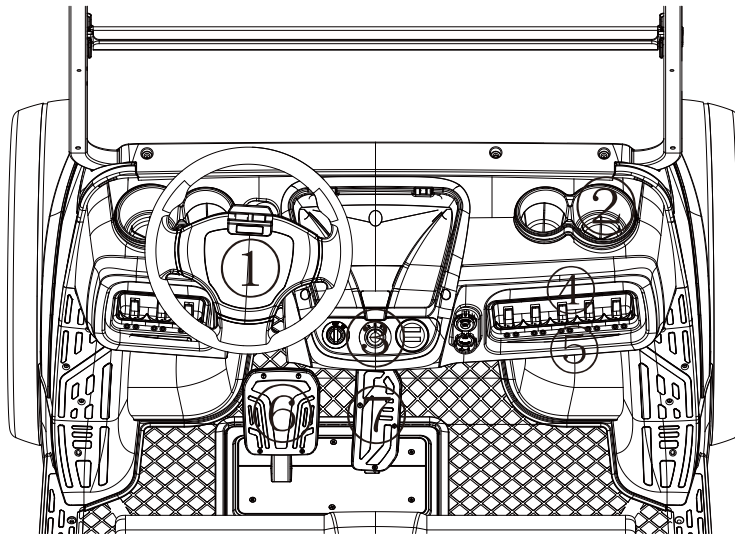
Design changes occur continuously. In order to get the correct components for Vehicles, the correct serial number and vehicle model must be supplied. The warranty might become invalid due to missing serial numbers.

Please contact dealer and provide the adequate purchase documents for warranty and get a new serial number plate as soon as possible.

Be familiar with vehicle features before attempting any operations.

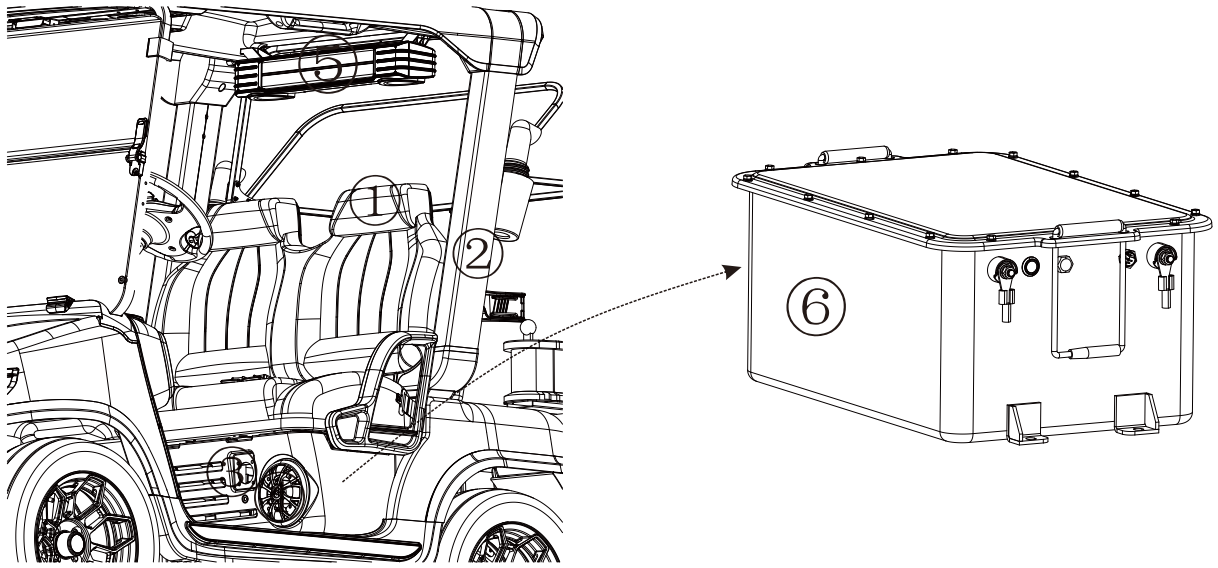


- ① EASY-REMOVABLE BODY
- ② ALUMINUM FRONT SUPPORT
- ③ FOLDABLE WINDSHIELD
- ④ OPTIONAL GPS SYSTEM
- ⑤ HANDLE FOR CANOPY

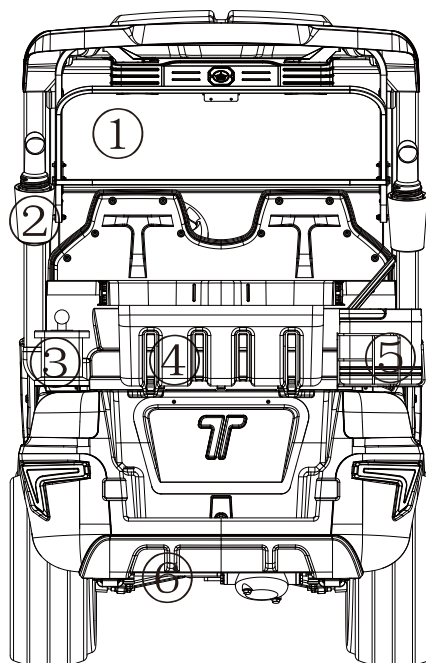


- ① STEERING WHEEL
- ② CUP HOLDER
- ③ MULTI-FUNCTIONAL DASHBOARD
- ④ STORAGE BOX FOR DASHBOARD
- ⑤ BALL HOLDER
- ⑥ BRAKE PEDAL
- ⑦ ACCELERATOR PEDAL

Be familiar with vehicle features before attempting any operations.

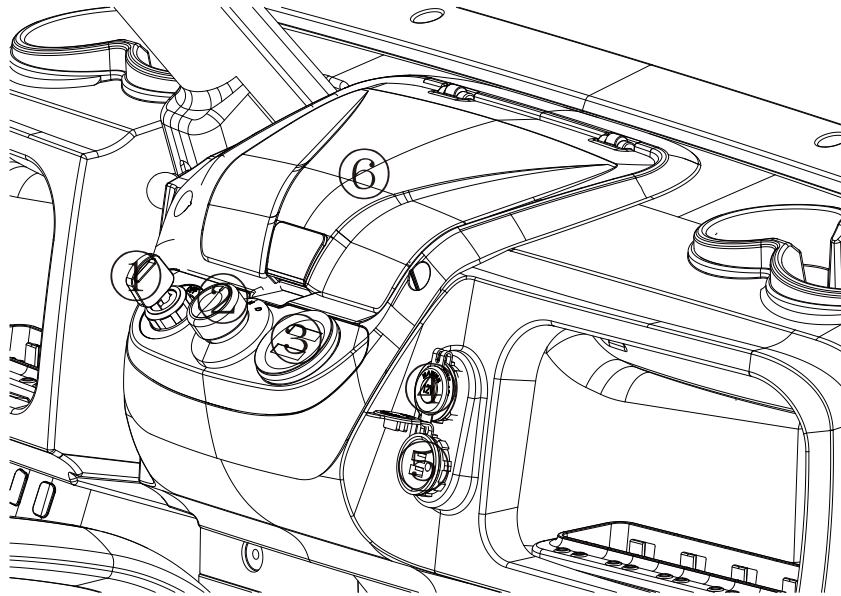


- ① LUXURY SEAT
- ② ALUMINUM CANOPY SUPPORT
- ③ CHARGING RECEPTACLE
- ④ STEREO SYSTEM WITH LIGHTS (SPIRIT PLUS ONLY)
- ⑤ TOP-MOUNT SOUND BAR (SPIRIT PLUS ONLY)
- ⑥ LITHIUM BATTERY PACK 48V 105AH



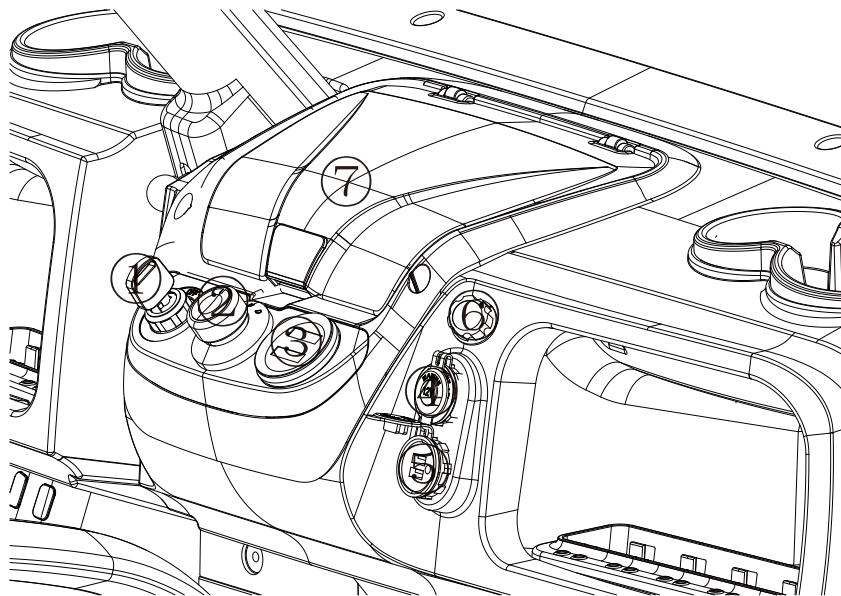
- ① GOLF BAG COVER
- ② SAND BOTTLE
- ③ BALL WASHER
- ④ GROCERY BASKET
- ⑤ COOLER BOX
- ⑥ REAR BUMPER

Be familiar with vehicle features before attempting any operations.



**SPIRIT AIR**

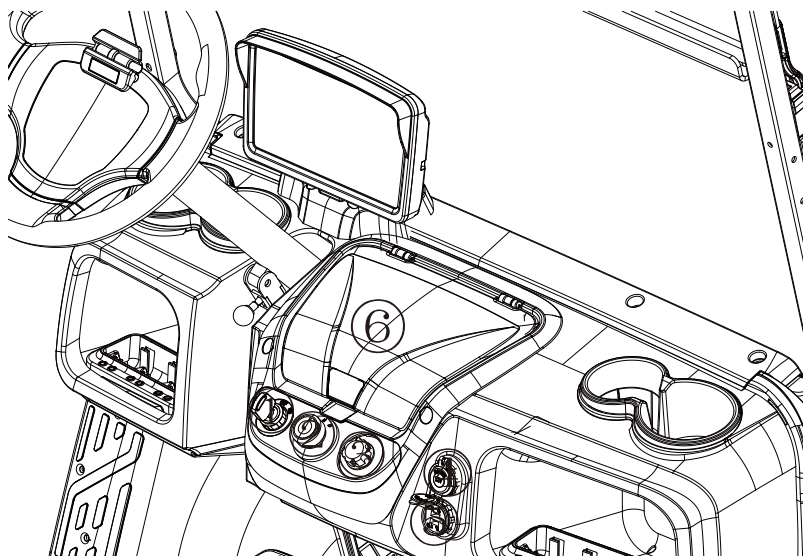
- ① KEY SWITCH
- ② DIRECTION SWITCH
- ③ BATTERY INDICATOR FOR LITHIUM BATTERY
- ④ CIGARETTE LIGHTER
- ⑤ USB CHARGE PORT
- ⑥ STORAGE BOX FOR DASH PANEL



**SPIRIT SERIES**

- ① KEY SWITCH
- ② DIRECTION SWITCH
- ③ BATTERY INDICATOR FOR LITHIUM BATTERY
- ④ CIGARETTE LIGHTER
- ⑤ USB CHARGE PORT
- ⑥ LIGHT MODE KNOB SWITCH
- ⑦ STORAGE BOX FOR DASH PANEL

Be familiar with vehicle features before attempting any operations.



### SPIRIT PLUS

- ① KEY SWITCH
- ② DIRECTION SWITCH
- ③ LIGHT MODE KNOB SWITCH
- ④ USB ADAPTOR SOCKET
- ⑤ USB CHARGE PORT
- ⑥ REFRIGERATOR FOR DASH PANEL
- ⑦ 9 INCH TOUCHSCREEN

Be familiar with vehicle features before attempting any operations.



## DANGER

OPERATING THE VEHICLE WHILE OCCUPANTS ARE NOT FULLY SEATED CAN CAUSE SERIOUS PERSONAL INJURY OR DEATH. START THE VEHICLE ONLY WHEN ALL OCCUPANTS ARE FULLY SEATED.

FALLING OBJECTS CAN CAUSE PROPERTY DAMAGE, SERIOUS PERSONAL INJURY, OR DEATH. DO NOT OPERATE THE VEHICLE WHERE THERE IS A RISK OF FALLING OBJECTS. DO NOT LET A PASSENGER HOLD A CHILD ON THEIR LAP WHILE THE VEHICLE IS IN OPERATION. DO NOT LET PASSENGERS RIDE IN THE VEHICLE OR TRAILER BEING TOWED.



## WARNING

KEEP AWAY FROM DROP-OFFS, STEEP SLOPES, AND UNSTABLE SURFACES.

SUDDEN STARTS, STOPS, AND TURNS CAN CAUSE PROPERTY DAMAGE AND SERIOUS PERSONAL INJURY. PREVENT SUDDEN STARTS, STOPS, AND TURNS. FAILURE TO CORRECTLY MAINTAIN THE VEHICLE AND MAKE NECESSARY REPAIRS CAN DECREASE VEHICLE PERFORMANCE, CAUSE A FIRE, PROPERTY DAMAGE, SERIOUS PERSONAL INJURY, OR DEATH. IF PROBLEMS ARE FOUND DURING SCHEDULED INSPECTION OR SERVICE, OPERATE THE VEHICLE ONLY WHEN REPAIRS ARE MADE.

MAKE SURE THAT ALL PASSENGERS CAN SECURE THEMSELVES IN THE VEHICLE BEFORE VEHICLE OPERATION. TO PREVENT SERIOUS PERSONAL INJURY, KEEP ENTIRE BODY IN THE VEHICLE DURING OPERATION.

THE VEHICLE IS NOT SPECIALLY EQUIPPED FOR HANDICAPPED PERSONS.

BEFORE VEHICLE OPERATION, MAKE SURE THAT ALL PERSONS COMPLY WITH THE WARNINGS AND OPERATING INSTRUCTIONS. INCORRECT OPERATION OF THE VEHICLE CAN CAUSE DECREASED VEHICLE PERFORMANCE, PROPERTY DAMAGE, SERIOUS PERSONAL INJURY, OR DEATH.

TO PREVENT FALLS FROM THE VEHICLE, PASSENGERS MUST STAY SEATED AND ALWAYS HOLD ON TO HAND HOLDS OR HANDRAILS WHEN THE VEHICLE IS IN OPERATION. THE DRIVER MUST KEEP BOTH HANDS ON THE STEERING WHEEL WHEN THE VEHICLE IS IN OPERATION.

A SHARP TURN AT HIGH SPEEDS CAN CAUSE A ROLL-OVER, FALL, PROPERTY DAMAGE, AND SERIOUS PERSONAL INJURY. OPERATE THE VEHICLE SLOWLY IN TURNS. UNINTENDED VEHICLE OPERATION CAN CAUSE SERIOUS PERSONAL INJURY OR DEATH.

BEFORE LEAVING THE VEHICLE OR DURING VEHICLE MAINTENANCE, DISABLE THE VEHICLE.

THE VEHICLE IS NOT DESIGNED TO MEET CHILD SAFETY SEAT COMPATIBILITY REQUIREMENTS. CHILDREN REQUIRING A CHILD SAFETY SEAT MUST NOT RIDE ON THE VEHICLE. COMPLY WITH STATE AND LOCAL LAWS PERTAINING TO CHILD SAFETY.



## CAUTION

OPERATE THE VEHICLE ONLY FROM THE DRIVER'S SEAT.

OPERATE THE VEHICLE ONLY IN SPECIFIED AREAS.

ONLY AN AUTHORIZED LICENSED DRIVER CAN OPERATE THE VEHICLE.

ONLY OPERATE THE VEHICLE IN COMPLIANCE WITH LOCAL AND STATE LAWS.

USE CAUTION WHEN OPERATING THE VEHICLE IN THE PRESENCE OF HIGHER-SPEED VEHICLES, IN CONGESTED AREAS, OR ON UNIMPROVED SURFACES.



Be familiar with vehicle features before attempting any operations.

## PRE-OPERATION SAFETY AND PERFORMANCE INSPECTION

Use the "pre-operation checklist" to inspect the operational conditions and performance of the vehicle. If bad operational conditions are found on a vehicle, stop operations. Removal from operation can prevent further damages to the vehicle or serious injuries . If the vehicle is not in an operable condition, inquire your dealer for maintenance or repairs.

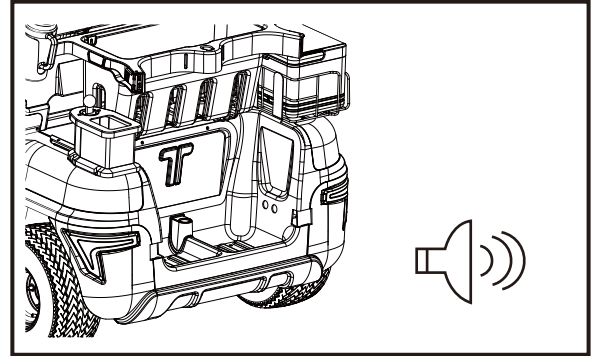
### PRE-OPERATION CHECKLIST

INSPECTION ITEMS	INSPECTION PROCEDURES
BATTERY	Before initiate using vehicle, the batteries should be fully charged. Replace the bad/broken/damaged parts during inspection.
BRAKE	Check the brake pedal, when stepped it should be flexible and firm. And it returns to its original position with flexibility when released.
ACCELERATOR PEDAL	Check the accelerator pedal, when stepped and released it should return to its original position with full flexibility.
TIRES	Check the tires' pressure, pressure is around 20psi. Check tires surface and remove any embedded objects you can find. Be sure no cracks or other damages to the tires, defective tires may cause accident while driving.
STEERING	Pull the steering wheel up and down and check the tightness of the steering wheel .Rotate the steering wheel right and left. Be sure no excessive free play and rattling sound .
REVERSER WARNING BEEPER	Check the reverse beeper, when the direction-selecting switch be set at "REV", it should beep soundly.
LIGHTS (IF EQUIPPED)	Check the signal lights, the brake lights and turning lights should be in proper working condition.

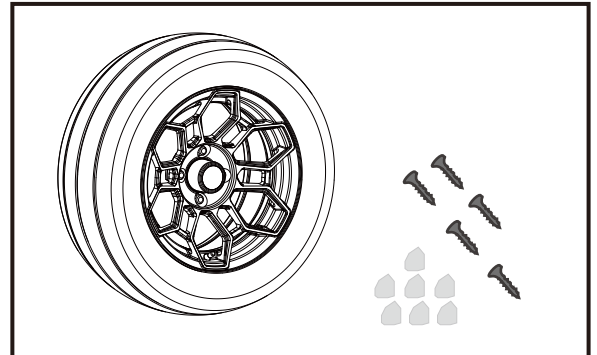
Be familiar with vehicle features before attempting any operations.

## PRE-OPERATION SAFETY AND PERFORMANCE INSPECTION

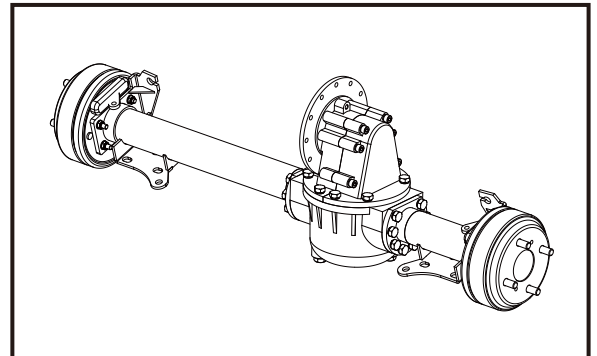
Check the reverse beeper, when the direction selecting switch be set at "REV", it should beep soundly.



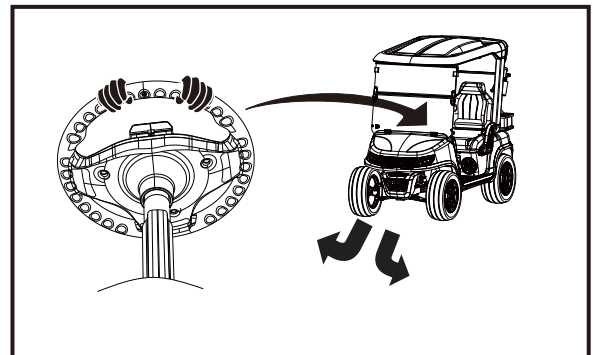
Check the tires' surface, and remove any embedded objects you can find. Be sure no cracks or other damages to the tires, defective tires may cause accident while driving.



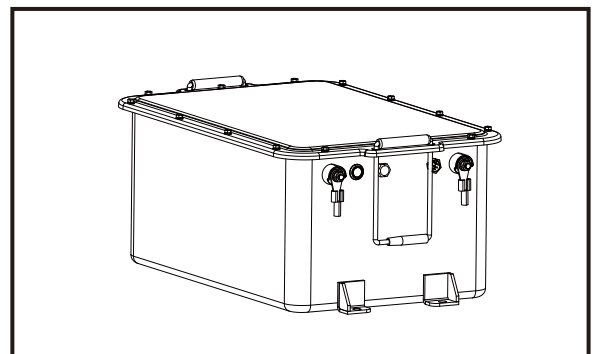
Check the lubricant capacity the rear axle contains, use a cleaned stick, stick it into the rear axle and reach the bottom, pull it out check the depth. The amount of oil should be around 0.8L.



Pull the steering wheel up and down, checking the tightness of steering wheel. Rotate the steering wheel right and left. Be sure no excessive free play or rattling sound.



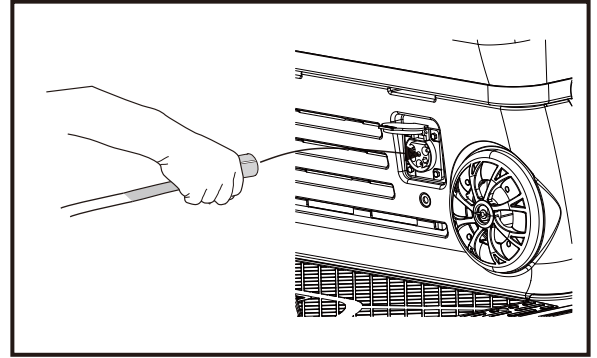
Check the tightness of the battery cables and make sure all the nuts are solidly tight. Loose nuts on the battery will cause sparks while operating.



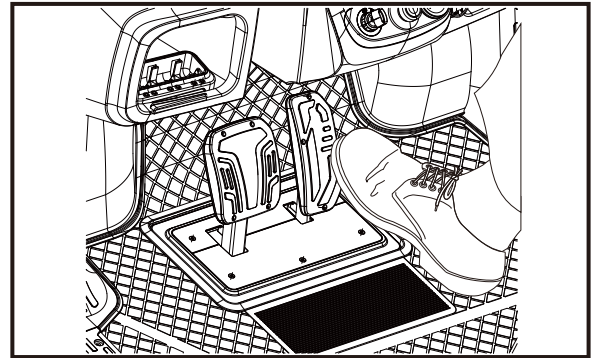
Be familiar with vehicle features before attempting any operations.

## PRE-OPERATION SAFETY AND PERFORMANCE INSPECTION

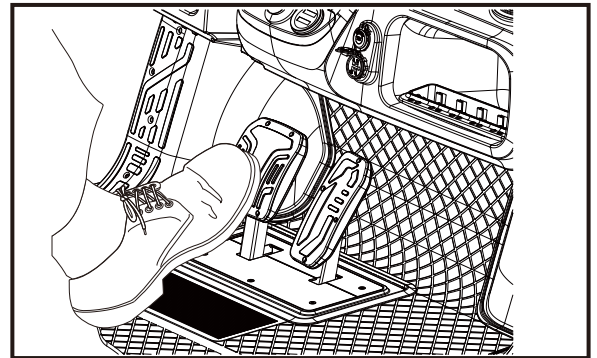
Before initiate using vehicle, the batteries should be fully charged.



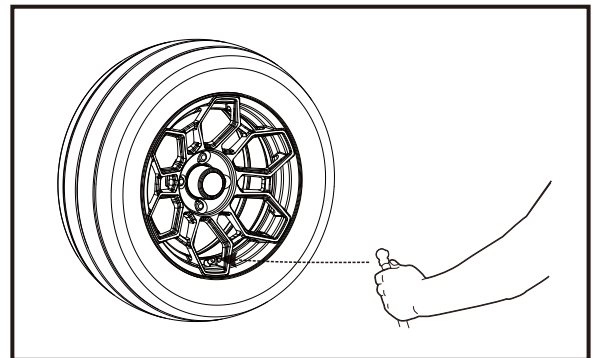
Check the accelerator pedal, when stepped and released it should return to its original position with full flexibility.



Check the brake pedal, when stepped it should be flexible and firm. And it returns to its original position with flexibility when released.

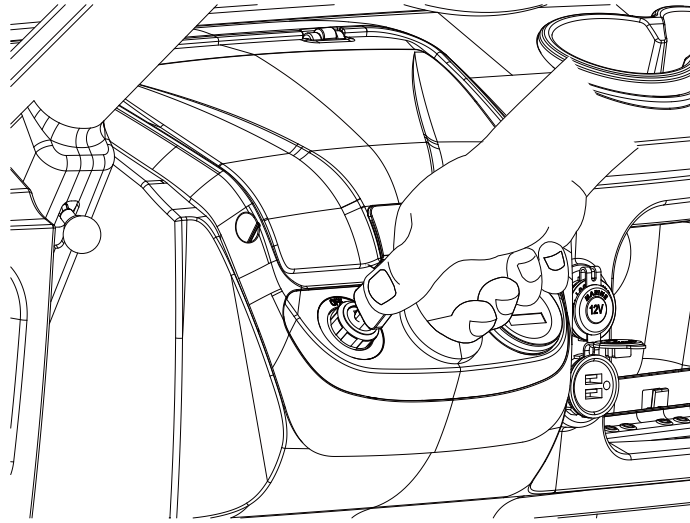


Check the tires' pressure, it should be inflated until the internal pressure is around 25PSI.



Be familiar with vehicle features before attempting any operations.

## .START THE VEHICLE



The key switch controls the vehicle's electrical system. The key switch has two positions: ON/OFF.

**ON:** When switched to "ON" position, all the electrical system and accessories can be used and operated.

**OFF:** When switched to "OFF" position, all the electrical systems are disabled.



THE KEY SWITCH CAN BE USED TO STOP THE VEHICLE IN AN EMERGENCY. DO NOT BREAK OFF KEY IN THE KEY SWITCH.

## .FORWARD/NEUTRAL/REVERSE CONTROL (D/N/R Knob switch)

### **FORWARD (D):**

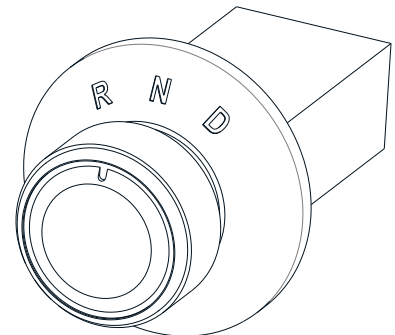
When the knob is switched to the "D" position, the cart will move forward direction when the driver presses the accelerating pedal with the key switch on.

### **NEUTRAL (N):**

When the knob is switched to the "N" position, the cart will not move in when the driver presses the accelerating pedal with the key switch on.

### **REVERSE (R):**

When the knob is switched to the "R" position, the cart will move reverse direction when the driver presses the accelerating pedal with the key switch on. And will activate the reverse buzzer.



**Be familiar with vehicle features before attempting any operations.**

## **.CIGARETTE LIGHTER & USB CHARGER OUTLET**

### **CIGARETTE LIGHTER:**

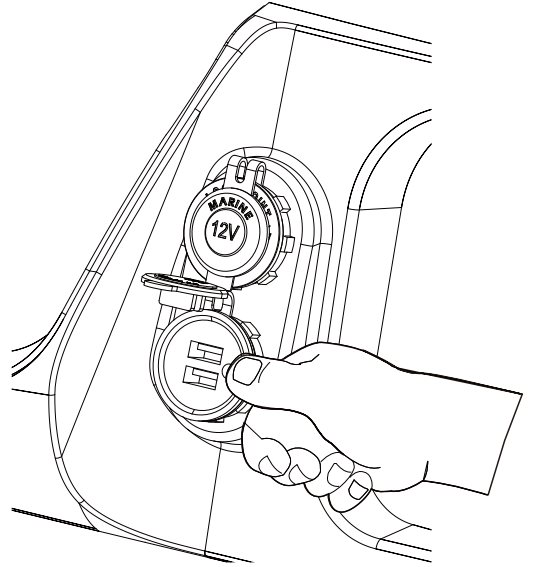
The cigarette lighter is used for lighting cigarette.

### **USB CHARGER OUTLET:**

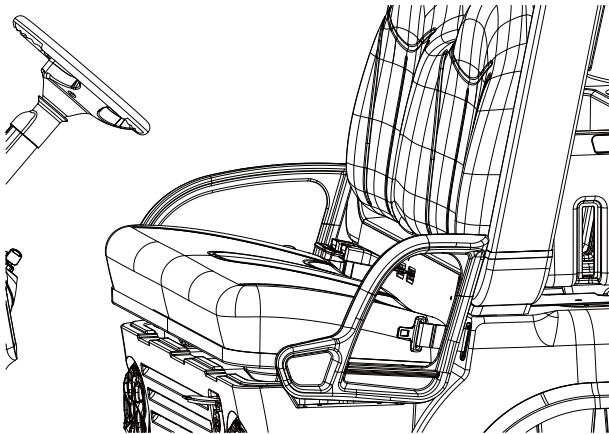
Press the right button to start charge.

- Type-c
- Android

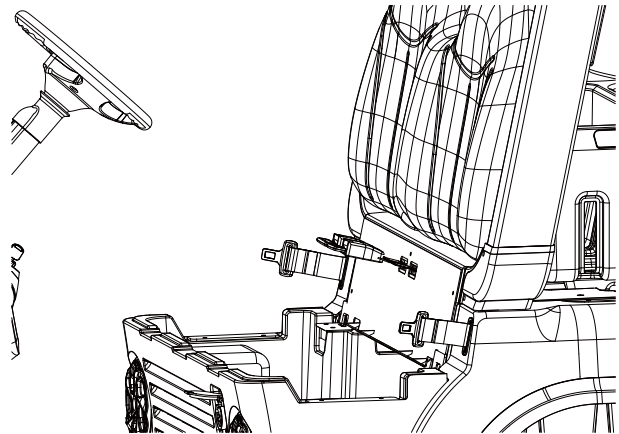
The USB charger outlet is used for providing 5V power from the vehicles to charge small electrical gadgets, such as cell phone, iPad ... etc.



## **.REMOVE THE SEAT**



1. Lift the seat from the front so that the upper hinge of the seat separates from the lower hinge of the seat.



2. Remove the seat.

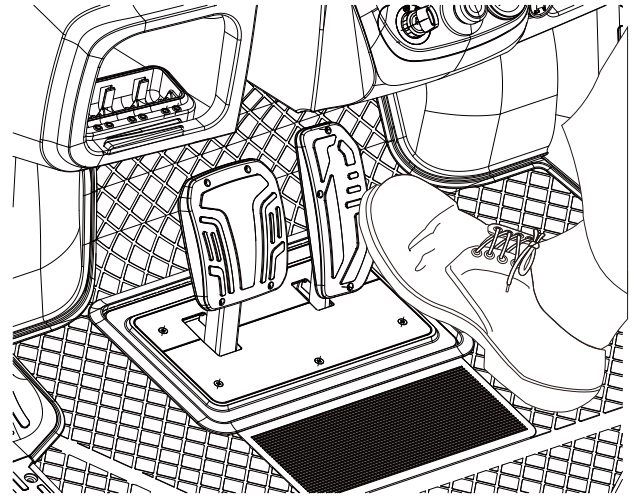
Be familiar with vehicle features before attempting any operations.

## .ACCELERATOR PEDAL

The accelerator pedal is used to increase and maintain the speed of the vehicle. Apply slow and steady pressure to the accelerator pedal to start the motor and accelerate the vehicle. When you release the accelerator pedal the motor will decrease the speed of the vehicle.

 **DANGER**

Do not engage the accelerator pedal rudely, sudden or accidental accelerating can cause vehicle to suddenly move and cause severe injury or death.

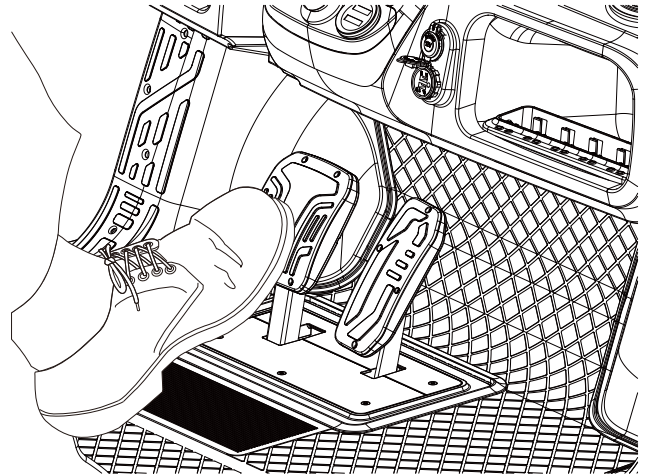


## .BRAKE PEDAL

The brake pedal is used to decrease the speed or stop the vehicle. It is the left pedal on the floorboard. TARA vehicles have two styles of brake system: Mechanical and Hydraulic brake.

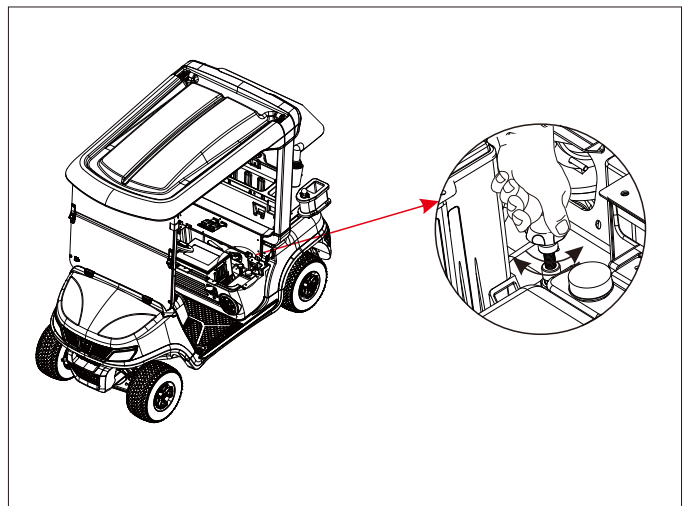
 **WARNING**

When loading the cargo or towing a vehicle or trailer, the payload will increase the braking distance required to slow or stop the vehicle.



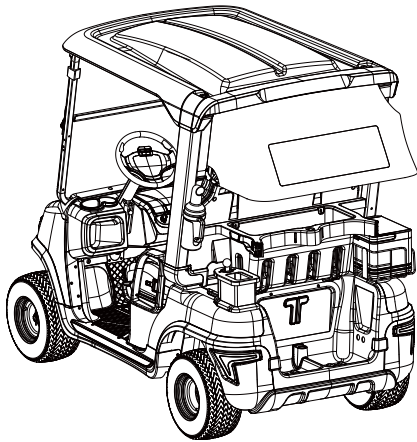
## .RELEASE THE EM BRAKE

The EM brake can be unlocked by turning the EM brake ball head handle counterclockwise on the driver's side under the front seat cushion.

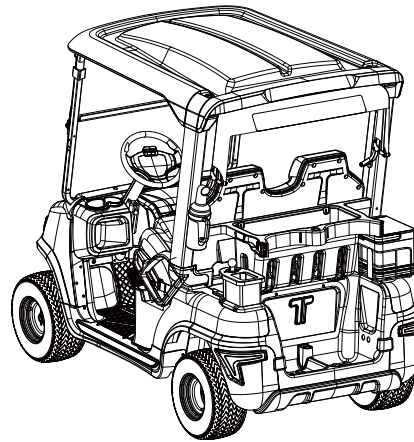


Be familiar with vehicle features before attempting any operations.

**.OPEN/CLOSE GOLF BAG COVER**

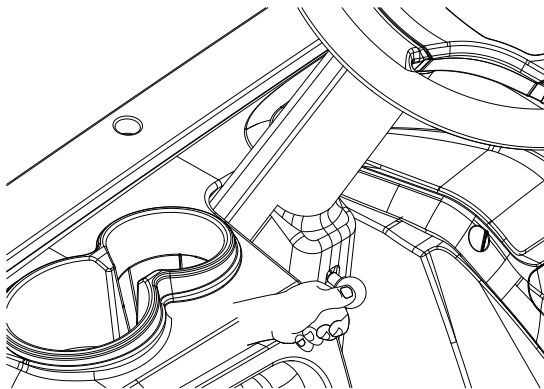


1. Open the golf bag cover.

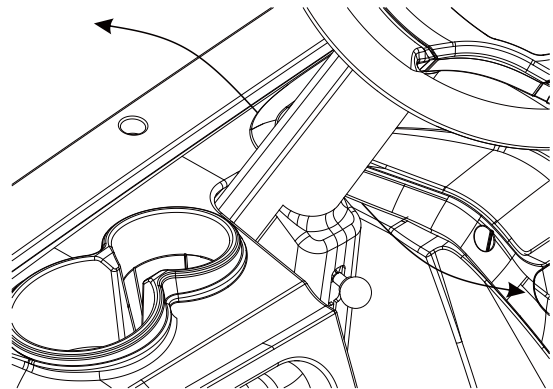


2. Close the golf bag cover.

**.ADJUST THE HEIGHT OF THE STEERING COLUMN**

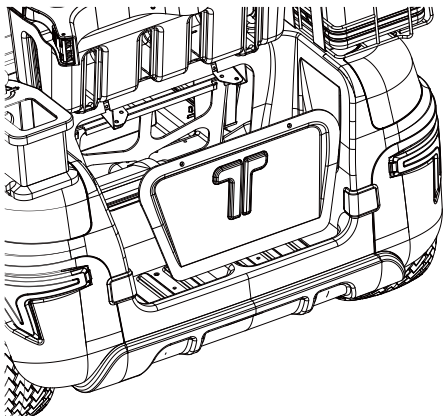


1. Press the adjustment knob shown in pic 1 downward.



2. Push the steering column up/down to the height you want.

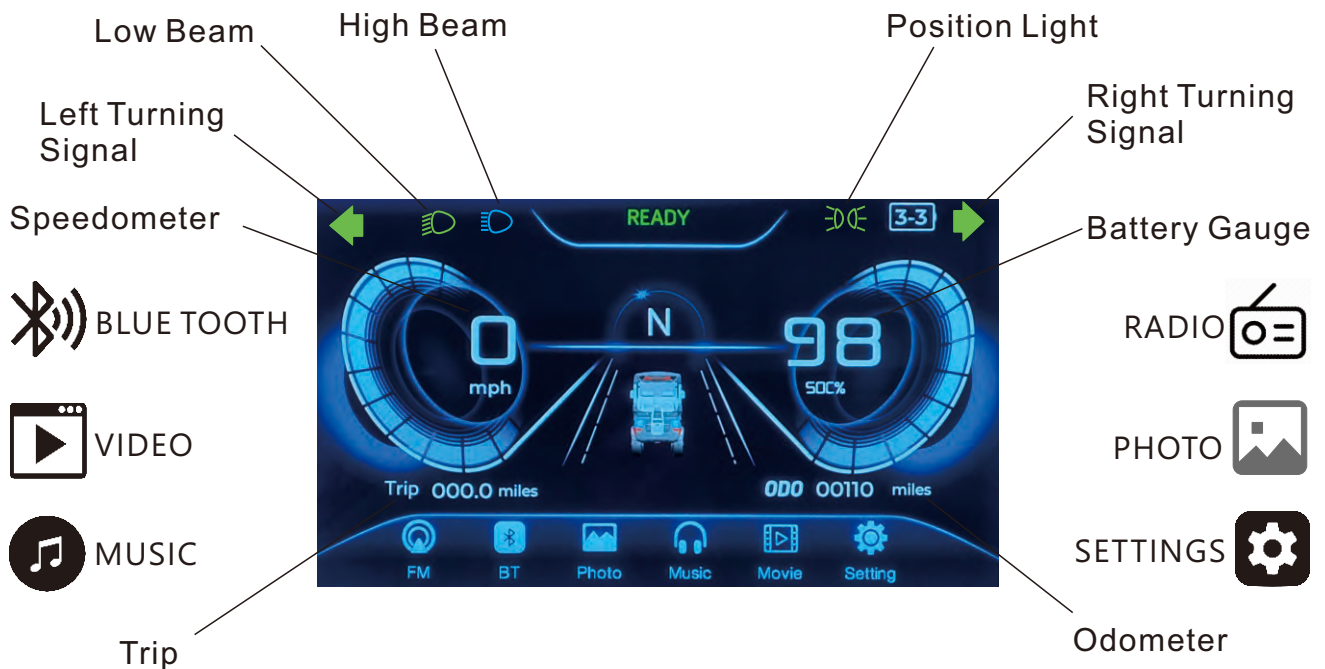
**.CHECK THE CIRCUITRY**



Remove the service hatch panel to check the internal circuitry.

Be familiar with vehicle features before attempting any operations.

## TOUCHSCREEN INTRODUCTION



### 1. Blue tooth

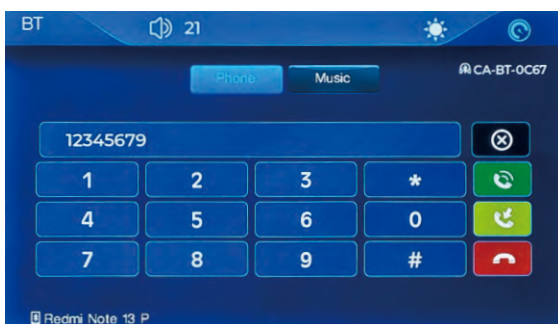
#### Get your phone connected.

**Step 1:** Power on the vehicle .

**Step 2:** Enable Blue tooth function on your cell phone.

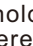
**Step 3:** Search for "CA-BT-XXXX" in your device list.


**Step 4:** Choose the device to establish the connections . Now you can make phone calls or play music out of your phone.




Use the dial pad to enter the number you need to dial.

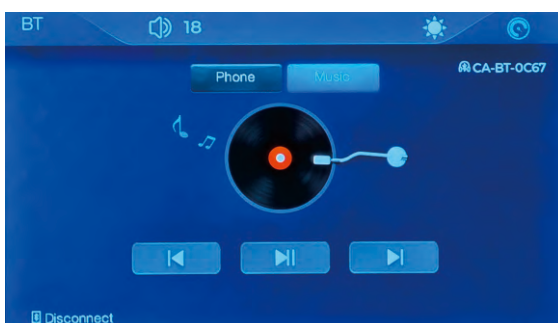
Tap button  to delete the entered characters one by one.

Press and hold Button  to continuously delete characters until all entered characters are deleted.


Tap button  to dial the entered number.


Tap button  to dial back the number of the last call.

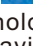
Tap button  to hang up the current call.




When the Bluetooth connects to the phone, go to the "Music" menu, and the music you select to play on the phone will be displayed in this page.

Tap button  to switch the currently playing music to the previous song in the song list.

Tap button  to fast forward the currently playing music.

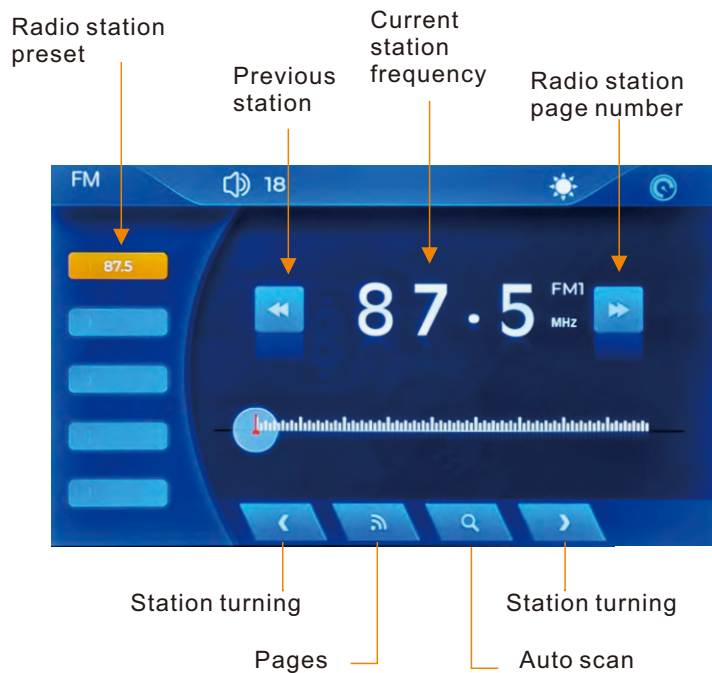
Press and hold button  to continue fast forwarding the currently playing music until it reaches the end.

Tap button  to switch the currently playing music to the next song in the song list.





Be familiar with vehicle features before attempting any operations.



## 2. Radio



### Store the sequence of stations:

When the automatic search station function  is activated, the meter will automatically search for the local radio station, and the radio frequency number is stored in the local, convenient for users to call and manage. Up to 50 stations can be stored, and 5 preset stations are displayed in each column of the left window area. If you need to turn the page to see the next set of stations, use the  button

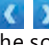
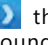
### Storage station selection:

The two buttons  and  can be used to select the previous/next station of the preset station, respectively.

### Current station store page serial number:

If the station being played has a serial number greater than 5, say the sixth station, because only five preset stations can be displayed per page, the current station will be stored on the second page, so the current position will be displayed FM2, and so on if you are playing the eleventh station, the current position will be displayed FM3.


### Radio frequency fine-tuning:

  these two keys are mainly used to fine-tune the current radio frequency so that the signal demodulation is more accurate and the sound is clearer. Sometimes the frequency selected by the automatic search function may not be accurate, and this function can make up for the slight deficiency of the automatic search function

### Pre-stored radio pagination selection

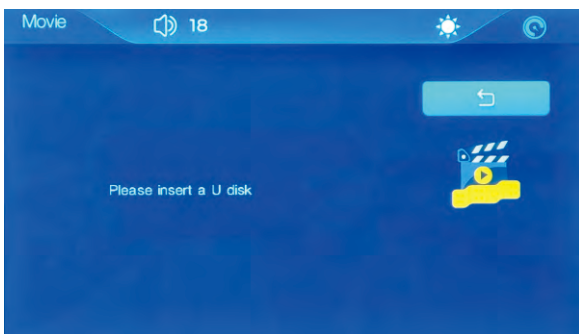
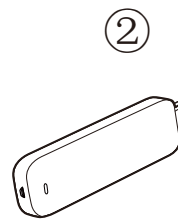
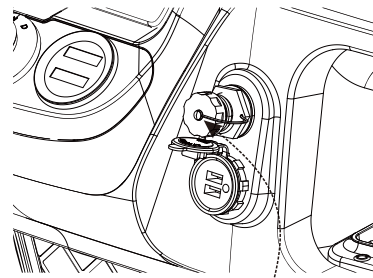
The  button displays all the stations on the left side of the window by polling every 5 pages

### Automatically search for stations:

Click the  button to automatically search for all radio stations that you can listen to in your area, and automatically store the sequence on the left side of the window.

Be familiar with vehicle features before attempting any operations.

### 3.Video, photo and music



### Play your media (video&photo&music files).

**Step 1:** Copy the video & photo & music files into a USB flash drive.

**Step 2:** Plug it to the touchscreen USB plug(PIC 2).

**Step 3:** Click on VIDEO OR PHOTO OR MUSIC icon to get access to the file you want to play.

**Step 4:** If there is no flash drive plugged in, when you click on the VIDEO OR PHOTO OR MUSIC icons it will have "Please insert a U disk " notice (PIC 3).

## 4. Setting



### Set up your touchscreen.

**Step 1:** Go to "Setting" menu.

**Step 2:** Select the setting items you intend to change.

**Step 3:** Change item to the value you prefer. The value will be active right away after you change it.

### Change auto play mode.

**Step 1:** Go to "Setting" menu .

**Step 2:** Find Auto Play setting under "BASIC".

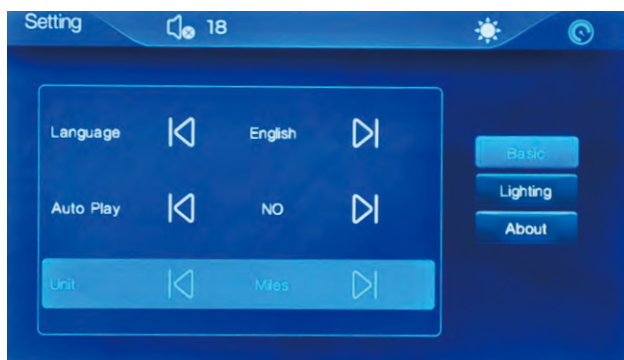
**Step3 :** Click  button to change the play mode.

#### MENU LIST >

**"NO"** -Nothing is being set up

**"Music First"** -the system will play music as a priority

**"Movie First"** -the system will play movie as a priority



### Change route unit between miles and Km

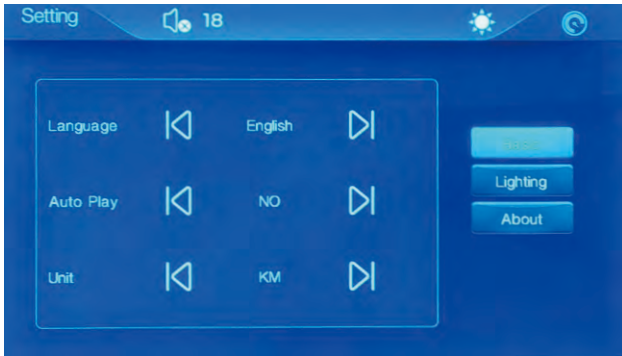
**Step 1:** Go to "Setting" menu.

**Step 2:** Find Unit setting under "BASIC".

**Step 3:** Click  button to change the unit.

Be familiar with vehicle features before attempting any operations.

## 5.Others



### Change touchscreen brightness.

**Step 1:** Go to "Setting" menu .

**Step 2:** Click  button to change the brightness.



### Touchscreen system version

**Step 1:** Go to "Setting" menu .

**Step 2:** Find "ABOUT" menu.



**Step 3:** Check out the system version info.

### NOTICE

FOR IMPROVING THE CUSTOMER EXPERIENCE WITH THE NEWEST TOUCHSCREEN FIRMWARE MAY NEED TO BE UPDATED TIME TO TIME.



### Change volume.

**Step 1:** Click  or  button on the left side of the touchscreen to change the volume.

Be familiar with vehicle features before attempting any operations.

 **WARNING**

Improper handling of batteries and electrical components can result in serious injury or death.

Do not remove the battery pack cover. Do not attempt to remove batteries or battery cables. Do not use the battery pack without the control module installed. All battery and electrical service must be performed by an authorized service facility and personnel.

All tools used in or around the battery pack area should be insulated. Do not intentionally cause a short to the power terminal (B+, B-) with a metallic object.

Do not cut, tear or remove the seal tape. Do not disassemble or modify the design, including the electrical circuit, of the battery pack or control module.

To prevent the risk of battery explosion, keep all flammable materials, open flames or sparks away from the batteries. Do not leave the battery pack near a fire or heat source. Do not throw Lithium-Ion batteries into a fire. Do not apply heat to any part of the battery pack or battery management module with a soldering iron. Do not place the battery pack in a microwave oven, dryer or high-pressure container.

Do not attempt to operate the vehicle or charge the battery pack at temperatures above 140°F (60°C).

Do not immerse or throw the battery pack in water. Do not pressure wash the battery pack.

Do not puncture the battery pack or control module. Do not strike the battery pack with a hammer or heavy weight. Do not step or stand on the battery pack. Do not throw or drop the battery pack on hard surfaces.

If the battery pack terminals are contaminated or dirty, clean them with a dry cloth before using the battery pack.

Keep the battery pack and control module away from static electricity.

**NOTICE**

INCORRECT STORAGE CAN CAUSE BATTERY DAMAGE, PERMANENT LOSS OF BATTERY CAPACITY, OR CAUSE THE BATTERY TO BE UNSERVICEABLE. A FULLY DISCHARGED BATTERY PUT IN STORAGE WILL MAKE THE BATTERY PERMANENTLY UNSERVICEABLE. PUT THE BATTERY ON CHARGE DURING EXTENDED STORAGE. DO NOT EXCEED THE STORAGE TEMPERATURE LIMITS. DO NOT PUT A FULLY DISCHARGED BATTERY IN STORAGE. INCORRECT STORAGE WILL VOID THE BATTERY WARRANTY.

Be familiar with vehicle features before attempting any operations.



## Change the language.

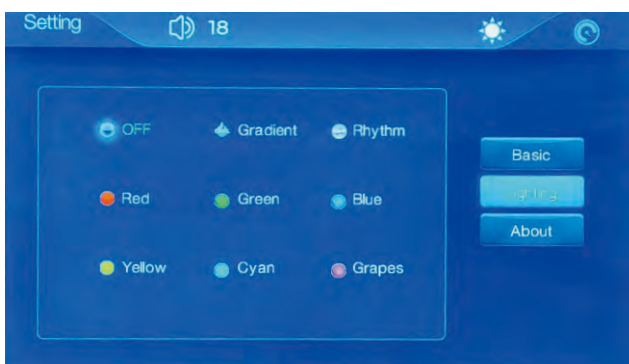
**Step 1:** Go to "Setting" menu.

**Step 2:** Find Language setting under "BASIC".

**Step 3:** Click  button to change the language.

### NOTICE

SOME LANGUAGES MAY NOT BE AVAILABLE IN THIS TOUCHSCREEN DUE TO VERSION LIMITATION .



## Change lighting settings.

**Step 1:** Go to "Setting" menu.

**Step 2:** Find Local setting under "LIGHTING".

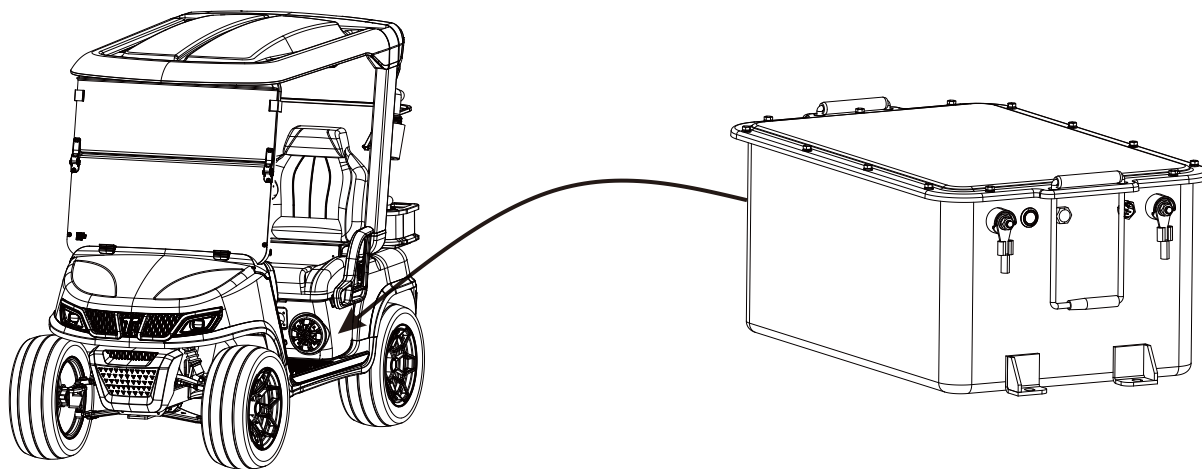
**Step 3:** Click the different color button to change the lighting color.

## 6.Program edit

- ① Prepare a blank USB flash drive.
- ② After storing the program on the USB flash drive, put the USB flash drive into the USB port of the touchscreen.
- ③ At this time, the program of the touchscreen will start to update automatically, and after the big screen shows the completion of the program update, remove the USB flash drive, the program will be updated.

Be familiar with vehicle features before attempting any operations.

### .LITHIUM BATTERY



The lithium iron phosphate battery (LiFePO<sub>4</sub> or LFP) is the safest of the mainstream lithium battery types.

LFP is the chemistry of choice for very demanding applications. Some of its features are:

- Rugged - It can operate in deficit mode for long periods of time.
- High round trip efficiency.
- High energy density - More capacity with less weight and volume.
- High charge and discharge currents - Fast charge and discharges are possible.
- Flexible charge voltages.

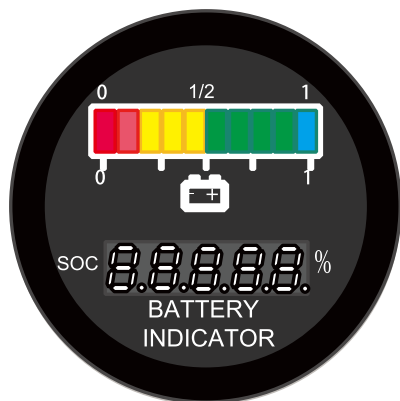
The battery is equipped with Bluetooth and uses this to communicate with the BMS app. The BMS app is used for reading out battery information, receiving alarms., etc.



Be familiar with vehicle features before attempting any operations.

## LITHIUM BATTERY METER

For Basic battery SOC (state of charge) information, check the battery level display module.



SOC indication in progress bar  
1 means 100%  
0 means 0%

SOC indication in percentage

Each LED light grid indicates 10% power of battery pack.

-Blue LED light indicates 90%-100% battery power.

-Four green LED lights indicate 60%~90% battery power.

-Three Yellow LED lights mean 30%-50% battery power left

-Last two red LED Lights indicate only 0-20% battery power left, and the battery pack needs to be charged immediately.

The LED digital in the below tablet indicate the SOC percentage of lithium battery pack.



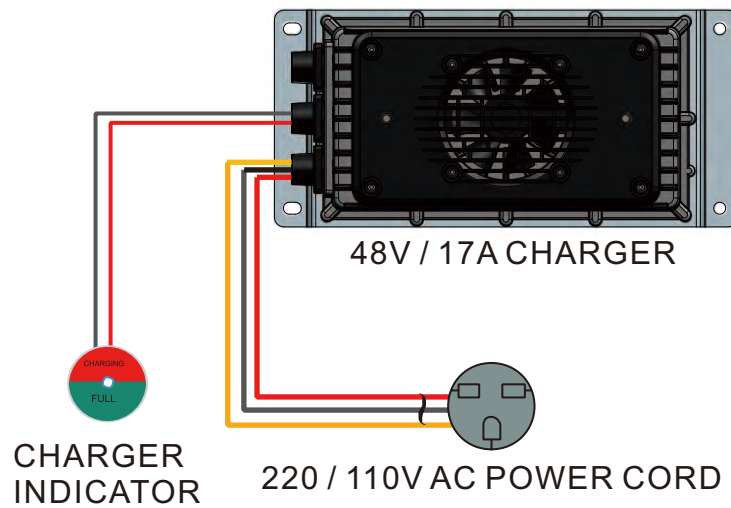
Be familiar with vehicle features before attempting any operations.

**.BATTERY CHARGER**



INCORRECT CONNECTION OF THE AC CORD CAN CAUSE A FIRE OR AN ELECTRICAL SHOCK. DO NOT USE AN ADAPTER TO CONNECT THE AC CORD INTO A TWO-PRONG POWER SOURCE. CONNECT THE AC CORD TO AN APPROVED POWER SOURCE. CONNECTION OF THE AC CORD TO AN INCORRECT RECEPTACLE CAN CAUSE A FIRE, ELECTRICAL SHOCK, PROPERTY DAMAGE, SERIOUS PERSONAL INJURY, OR DEATH. CONNECT THE AC CORD TO AN APPROVED POWER SOURCE AND RECEPTACLE. DO NOT LET THE BATTERY CHARGER BECOME WET. KEEP THE BATTERY CHARGER DRY.

**CHARGER SPECIFICATION**



Battery pack rated voltage	48V
Maximum charger output	68V
AC input voltage range	85-270VAC, 45-65Hz
AC input current value	6.7A@120VAC, 3.6A@220VAC
Power factor	0.99
Charger efficiency	95%
Noise	45dB
IP Class	IP67
Weight	5.73lb (2.6kg)
Charge temperature range	32°F to 110°F (0°C to 45 °C)
Discharge temperature range	-4°F to 140°F (-20°C to 55 °C)
Storage temperature range	-4°F to 113°F(1 month) (-20°C to 45 °C) 32°F to 95°F(1 year) (0°C to 35 °C)

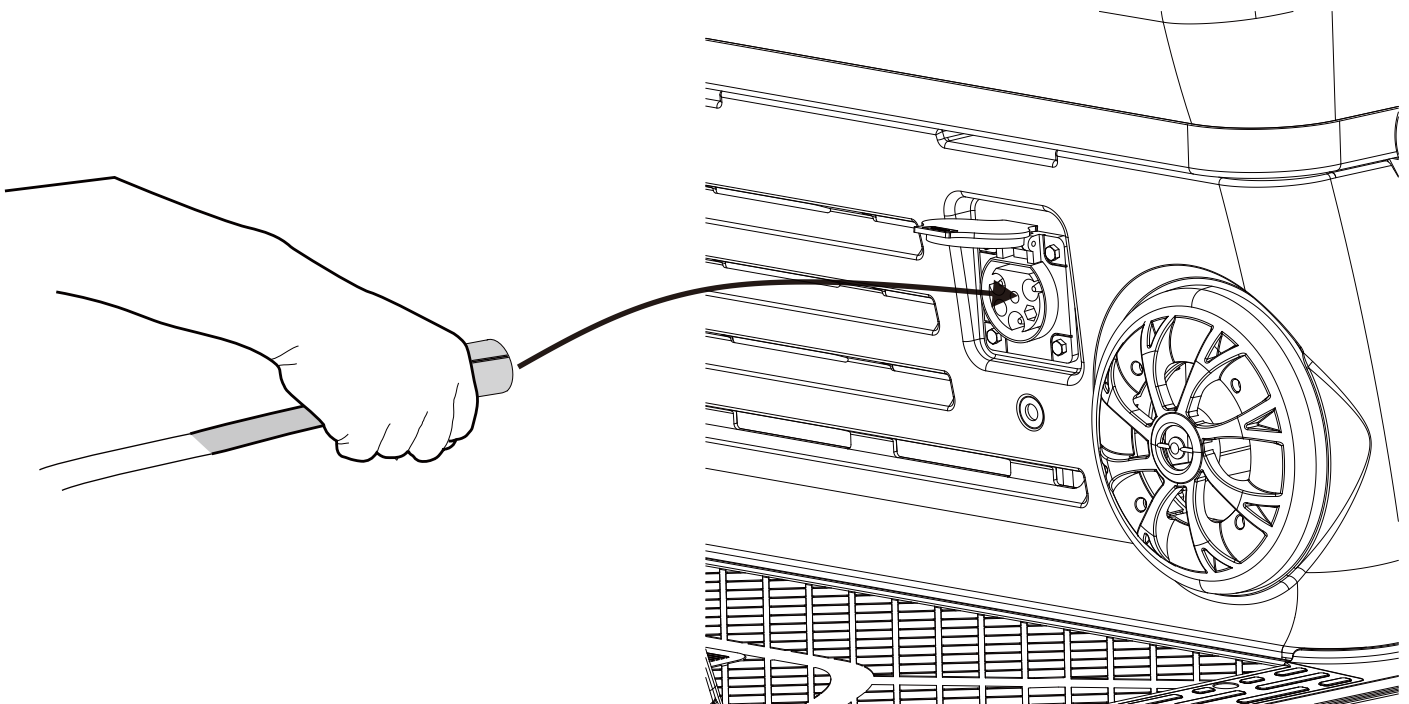
Be familiar with vehicle features before attempting any operations.

## HOW TO USE CHARGER

### WARNING

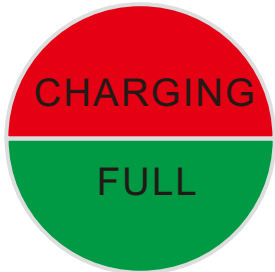
TO DECREASE THE POSSIBILITY OF ELECTRICAL SHOCK OR ELECTROCUTION, MAKE SURE THE CHARGER PLUG IS NOT DAMAGED. THE POWER AC CORD HAS A PLUG WITH GROUND POST. DO NOT MOVE, CUT OR BEND THE GROUND POST.

1. Inspect the charger cord to check whether the power AC cord and cable are broken or damaged. Replace the broken AC power cord.
2. Plug the AC charge handle into the vehicle receptacle completely.
3. Plug the Power AC cord into the ground power completely.
4. The charger will automatically start in several seconds after plugging in the AC power cord.
5. The charger will automatically stop when the batteries are fully charged.
6. Remove the AC charge cord before operating the vehicle.



Be familiar with vehicle features before attempting any operations.

### CHARGER LED DISPLAY



LED LIGHTS		INDICATION
	Red LED light flashing	Charging
	Solid Green light	Charge completely
	Red and Green light flash in order	Refer to the troubleshooting table

### LED FAULT CODES

Flashes ( " — " means pause 1s )	Cause	Solution
	No load	Check if these happen: the connection of battery and charger is loose, the battery is defective, or the battery voltage is too low.
	Over voltage or over current	If the error opens again after restart, return it to factory repair.
	The ambient temperature is too high or too low	Please check if the ambient temperature is too high and if ventilation is good and the position of battery temperature sensor.
	Charger overheating	Please check whether ambient temperature is too high and if ventilation is good.
	Output Under- Voltage	Please return it to the factory. Replace new charger
	Input AC abnormality	Please check the input voltage and the plug poor contact.
	Anyone of the above-mentioned faults repeats five times, then it appears.	Re-up electricity, match the indicator state to the above-mentioned faults then get the corresponding solution.

Be familiar with vehicle features before attempting any operations.

WHEELS & TIRES



DO NOT OVER INFLATE THE TIRES. EXCESS PRESSURE CAN CAUSE THE TIRE EXPLODE. TO DECREASE THE RISK OF TIRE EXPLOSION, ADD SMALL AMOUNTS OF AIR TO THE TIRE AT INTERVALS TO SEAT THE TIRE BEADS. OVER INFLATION OF SMALL TIRES CAN OCCUR IN A FEW SECONDS. PROTECT FACE AND EYES WHEN REMOVING THE TIRE VALVE CORE. USE ONLY SOCKETS MADE FOR IMPACT WRENCHES TO DECREASE THE RISK OF INJURY CAUSED BY A BROKEN SOCKET. DO NOT USE TIRES THAT HAVE INFLATION PRESSURE LESS THAN THE TIRE PRESSURE RECOMMENDED.

Always follow the cross-sequence pattern when you install the lug nuts to make sure the wheel is evenly seated against the hub.

NOTICE

Tools list

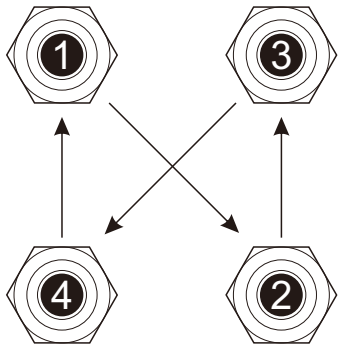
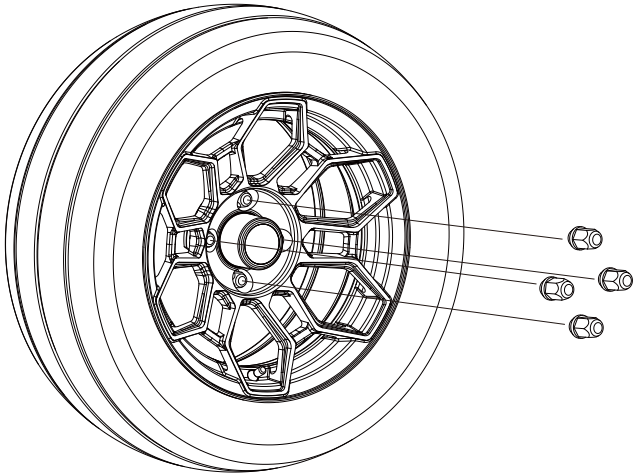
- Lug Wrench, M19.....1
- Impact Wrench.....1
- Impact Socket, M19.....1
- Torque Wrench.....1

The general recommended tire inflation pressure is 20 psi, but the tire inflation pressure can be changed according to the specific terrain condition.

All four tires must have the same pressure for the best control qualities. Always put the valve stem cap back after checking or inflating the tires.

Use a tire plug to repair small holes in the thread part of the tires. For large holes or cuts, replace the whole tire.

- >With the valve stem to the outside of wheel, install the wheel&tire on the hub with lug nuts.
- >Tighten the lug nuts with your fingers in the cross sequence pattern as shown.
- >Tighten the lug nuts to 50-85 ft.lbs torque.
- >Continue to follow the cross sequence pattern until the correct torque is reached.



Cross Sequence

Be familiar with vehicle features before attempting any operations.

## CHARGER MAINTENANCE



### WARNING

**IF THE PLUG PINS ARE BENT, SPEAK WITH YOUR LOCAL DEALER OR DISTRIBUTOR FOR REPLACING. DO NOT TRY TO REPAIR THE AC CORD PLUG OR PINS.**

#### ELECTRICAL CORDS

Examine electrical cords for wear and damage before use. Immediately replace electrical cords for:

- Cracks
- Cuts
- Frayed wiring
- Insulation damage
- Loose connections
- Splices

#### ELECTRICAL PLUGS AND RECEPTACLES

Examine electrical plugs for wear and damage before use. Immediately replace electrical plugs for:

- Bent pins
- Corrosion
- Cracks
- Loose connections
- Missing pins

#### CLEAN THE ELECTRICAL PLUGS AND RECEPTACLES

1. Disconnect the AC cord from the power source.
2. Disconnect the AC cord from the battery charger.
3. Disconnect the DC cord from the vehicle charger receptacle.
4. Apply electrical contact cleaner to the electrical plugs and receptacles. Refer to the manufacturer instructions.
5. Clean the electrical plugs and receptacles.
6. Lightly lubricate the electrical plugs and receptacles with WD-40®.

Be familiar with vehicle features before attempting any operations.

## VEHICLE MAINTENANCE

### WARNING

UNINTENDED VEHICLE OPERATION CAN CAUSE SERIOUS PERSONAL INJURY OR DEATH. BEFORE LEAVING THE VEHICLE OR DURING VEHICLE MAINTENANCE, DISABLE THE VEHICLE.

ONLY TRAINED TECHNICIANS SHOULD SERVICE OR REPAIR THE VEHICLE. ANYONE DOING EVEN SIMPLE REPAIRS OR SERVICE SHOULD HAVE KNOWLEDGE AND EXPERIENCE IN ELECTRICAL AND MECHANICAL REPAIR. THE APPROPRIATE INSTRUCTIONS MUST BE USED WHEN PERFORMING MAINTENANCE, SERVICE, OR ACCESSORY INSTALLATION. FAILURE TO CORRECTLY MAINTAIN THE VEHICLE AND MAKE NECESSARY REPAIRS CAN DECREASE VEHICLE PERFORMANCE, CAUSE A FIRE, PROPERTY DAMAGE, SERIOUS PERSONAL INJURY, OR DEATH. IF PROBLEMS ARE FOUND DURING SCHEDULED INSPECTION OR SERVICE, OPERATE THE VEHICLE ONLY WHEN REPAIRS ARE MADE.

DO NOT WORK ON THE VEHICLE POWER TRAIN WHEN THE VEHICLE IS LOADED.

DO NOT WEAR LOOSE CLOTHING OR JEWELRY SUCH AS RINGS, WATCHES, CHAINS, ETC., WHEN SERVICING THE VEHICLE OR BATTERY CHARGER. LIFT ONLY ONE END OF THE VEHICLE AT A TIME. USE A SUITABLE LIFTING DEVICE WITH 1000 LB (454 KG) MINIMUM LIFTING CAPACITY. DO NOT USE THE LIFTING DEVICE TO HOLD THE VEHICLE IN THE LIFTED POSITION. USE APPROVED JACK STANDS OF PROPER WEIGHT CAPACITY TO SUPPORT THE VEHICLE AND CHOCK THE WHEELS THAT REMAIN ON THE FLOOR.

IF WIRES ARE REMOVED OR REPLACED, MAKE SURE THAT THE WIRING AND WIRE HARNESS ARE CORRECTLY ROUTED AND ATTACHED. FAILURE TO CORRECTLY ROUTE AND ATTACH THE WIRING COULD RESULT IN VEHICLE MALFUNCTION, PROPERTY DAMAGE, SERIOUS PERSONAL INJURY, OR DEATH.

### CAUTION

WEAR SAFETY GLASSES OR APPROVED EYE PROTECTION WHEN YOU DO THE SERVICING OF THE VEHICLE. WEAR RUBBER GLOVES WHEN NEAR THE BATTERY.

Be familiar with vehicle features before attempting any operations.

## VEHICLE SCHEDULED MAINTENANCE CHART

Maintenance Items	Details & Operations	Interval (Perform at interval that comes first)
Overall vehicle condition	Inspect overall vehicle condition, clean vehicle as required	Daily
Battery packs	Recharge to fully SOC% after each day's use	Daily
Steering	Check for a smooth and free poeration	Daily
Front suspension	Inspect and check for loose or missing hardware	Daily
Rear suspension	Inspect and check for leaks and loose or missing hardware	Daily
Tires	Inspect for tire condition and pressure	Daily
Wheel lug nuts	Check for loose or missing	Daily
Accelerator pedal	Check for smooth and free operation	Daily
Service brake	Check for smooth operation and acceptable braking distance	Daily
Parking brake (EMbrake)	Check for parking brake performance	Daily
Headlights and taillights (If equipped)	Check for normal operations	Daily
Reverse warning alarm	Check for normal operations	Daily
Switches	Check for normal operations	Daily
Fluid leakages	Inspect the entire vehicle for leaks	Daily
Charger receptacle	Inspect the receptacle connections and cleanliness, clean it if necessary	Daily
Wiring	Inspect for loose connections, broken or missing insulations	12 Months
Steering	Check for excess play, broken rubbe bellow, loose or missing hardware	12 Months
Tie rods	Check for excess play, bent rods, loose or missing hardware	12 Months
Front suspension	Inspect hubs spindles for excessive play, worn bushings, broken bulbs, loose or missing hardware	12 Months
Rear axle	Check for leaks, oil level, add fluid as required	12 Months
Rear suspension	Check for shock oil leaks, worn bushings, loose or missing hardware	12 Months
Front wheel alignment	Check for abnormal tire wears and adjust if necessary	18 Months
Rear axle	Replace differential fluid	24 Months

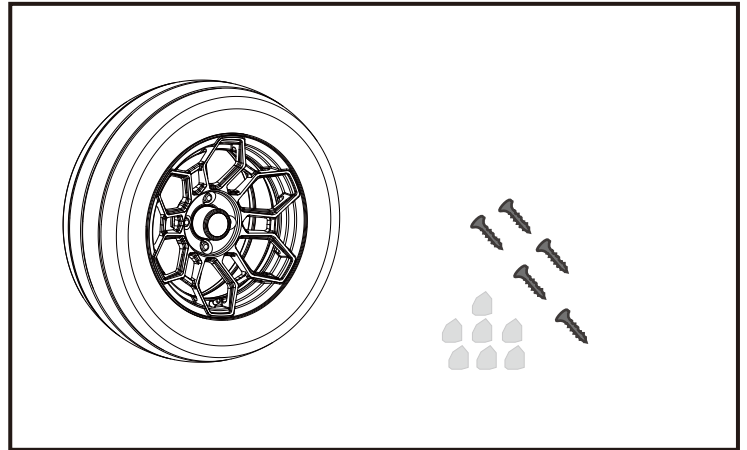
### NOTICE

The Maintenance Service Schedule must be done more frequently on vehicles that are constantly subjected to heavy use or severe operating conditions.

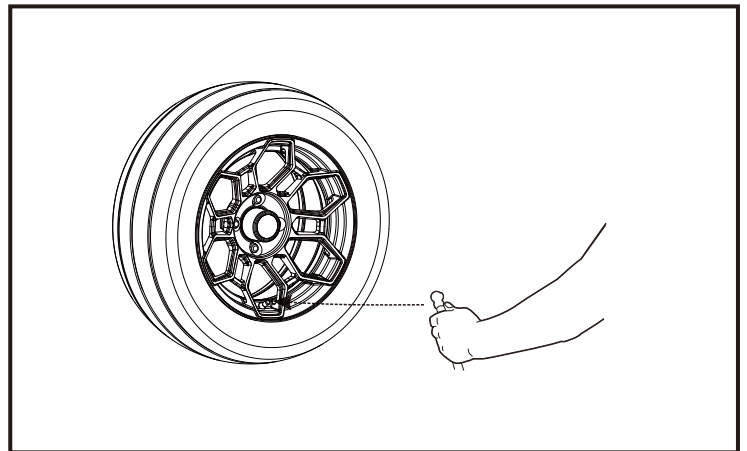
Be familiar with vehicle features before attempting any operations.

## CHASSIS MAINTENANCE

Check the tires every time one uses the vehicle, remove embedded objects or metal items away from tire surface. If the tire has embedded objects on the surface, it will lead to excessive noises from tire while driving or tire air leakage.



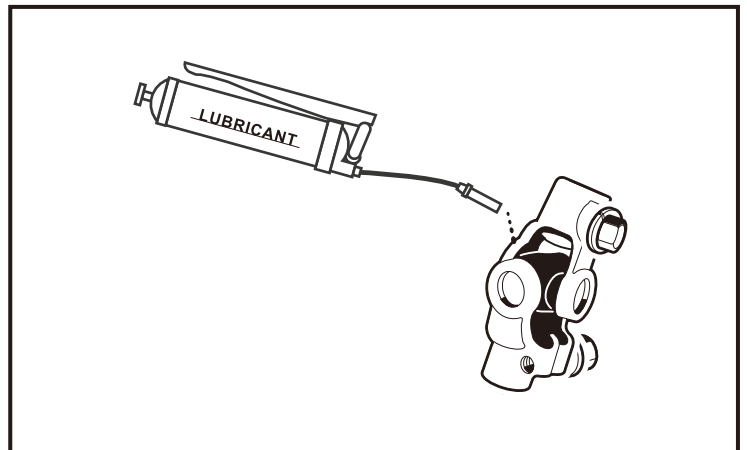
Check the tires every time one uses the vehicle. The tires should be inflated with sufficient air. The air pressure should with normal level . Check the tire chapter for more specific information of tire inflation.



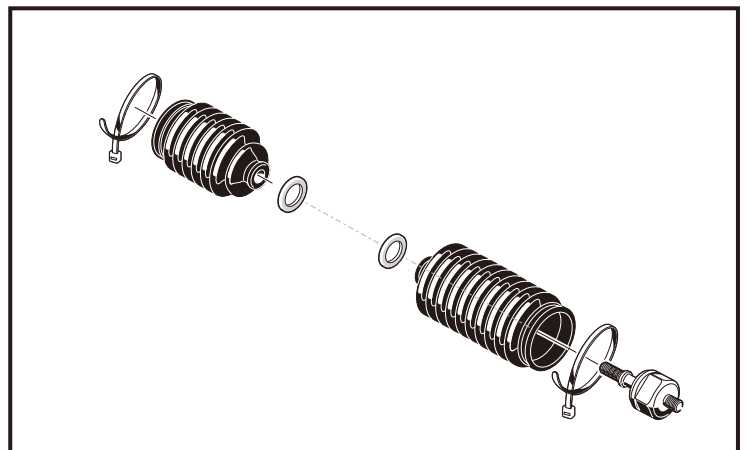
 **DANGER**

FLAT TIRE MAY CAUSE UNSTABLE STEERING FUNCTION WHILE DRIVING.

Add lubricant to mechanical joint parts , the vehicle should be kept in good turning and operating functions. To acquire that one should add lubricant to needed parts every month.



Check the dust-proof cover on steering gear box, the covers are supposed to be tightened on the two terminal ends . A loose cover will let water and dust into the gear box, causing the gears to rust.





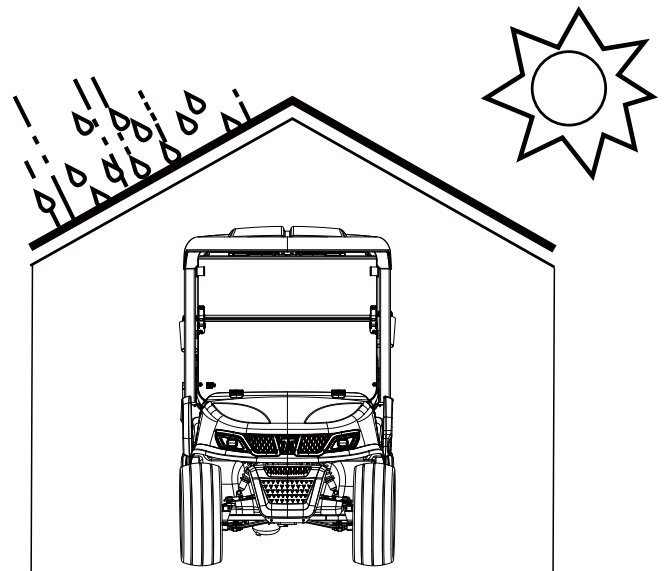
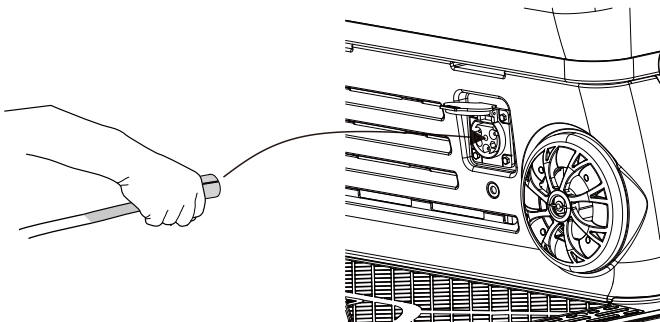
Be familiar with vehicle features before attempting any operations.

## **JOBS TO BE DONE PRIOR TO THE STORAGE**

- >Put golf cart under shelter, keep the golf cart in a dry and ventilated space. Optimal temperature is 14°F to 95°F (-10°C to 35°C) . Maximum storage temperature should not be higher than 122 °F (50°C).
- >Turn the key switch to the OFF position, remove the key and leave the forward/reverse switch in the NEUTRAL position during storage.
- >Power down all accessories.
- >Clean the battery packs, tops and terminals using a battery acid neutralizer (1 cup baking soda per 1 gallon water). Check, clean and treat battery terminal connections with a battery terminal protector spray.
- >Disconnect batteries, ensuring that the cables do not come into contact with a terminal (Disconnect the 48V Main power outlet cables from battery pack, insulate the cable).
- >Connect Battery cables back to system, charge the battery to full state every 1-3 months to keep battery alive without damages caused by over-discharging.
- >Perform all semi-Annual Lubrications.
- >Thoroughly clean the front and rear body, seats, battery compartment and underside of the vehicle.
- >DO NOT engage the park brakes, but secure the golf cart from rolling. Check the wheels with wheel stopper or something similar .
- >Check Tire pressure and inflate the tires to standard pressure level as values presented on tires.
- >Thoroughly clean the front and rear body, seats, battery compartment and underside of the vehicle.

## **BRING THE VEHICLE BACK TO SERVICE FROM STORAGE**

1. Fully charge the battery.
2. Set the Forward /Reverse control (DNR) to N.
3. Adjust the pressure in each tire to the recommended tire pressure.
4. Have a trained technician lubricate the vehicle.
5. Do a daily pre-operation safety checklist.
6. Do a vehicle performance inspection.



Be familiar with vehicle features before attempting any operations.

## VEHICLE TRANSPORTATION AND TOWING

### WARNING

DO NOT RIDE ON OR ALLOW OTHER PEOPLE ON A VEHICLE BEING TRANSPORTED ON A TRAILER OR BEING TOWED WITH ANOTHER VEHICLE.  
DO NOT CARRY PASSENGERS ON GOLF CART WHILE TOWING THE VEHICLE.  
APPLY BRAKE TO LIMIT SPEED WHEN COMMITTING SHARP TURNS.  
APPLY BRAKE TO LIMIT SPEED WHEN TOWING THE GOLF CART ON UNEVEN TERRAIN.  
TURN ON THE HAZARD LIGHTS IF THE VEHICLE IS CONFIGURED.  
SECURE THE SEATS/WHINSHIELD /OTHER LOOSE ITEMS BEFORE TOWING GOLF CART.  
DO NOT TOWING MULTIPLE GOLF CARTS IN SERIES FORMATION.  
DO NOT TOWING THE GOLF CART ON HIGHWAY ROADS.  
ABORT TOWING WHEN ABNORMAL PHENOMENONS BEING DETECTED.

### The following steps can help you to tow an TARA golf cart safely without any damage.

Turn off key switch.

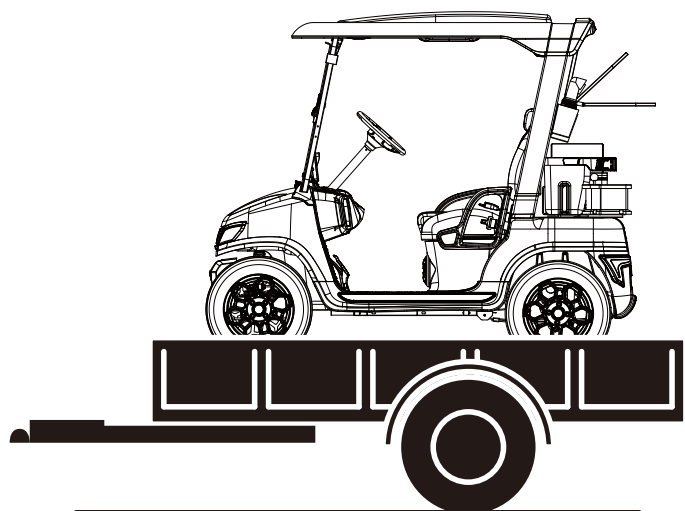
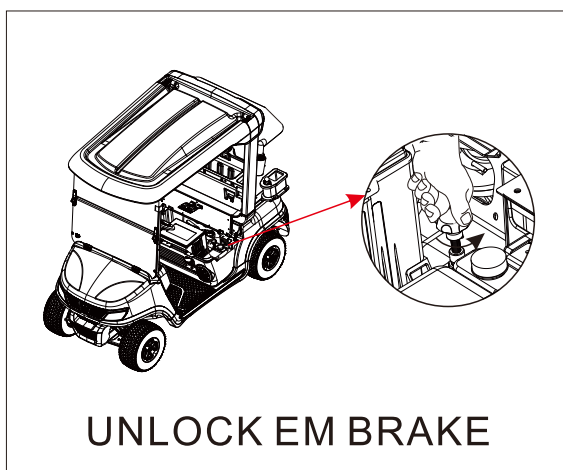
Keep the Forward/Reverse switch in a neutral position.

If you need to tow the golf cart for long distance ,remove the battery connections from battery pack terminals. This is done to ensure that the Rear axle/Motor/Controller/Batteries do not get damaged during the towing process.

Move the golf cart at a slower speed (Optimally Between 5-15MPH )or the same speed that you would generally move it if it has power. Exceeding the speed limit can over-spin the motor and ruin it.

Pulling your golf cart faster than designed to go can over-spin the motor. Possible slinging the internal parts into pieces and ruining the motor.

**Unlock the EM brake** on your golf cart motor, make sure to **unlock it mechanically before towing the golf cart.**



Be familiar with vehicle features before attempting any operations.

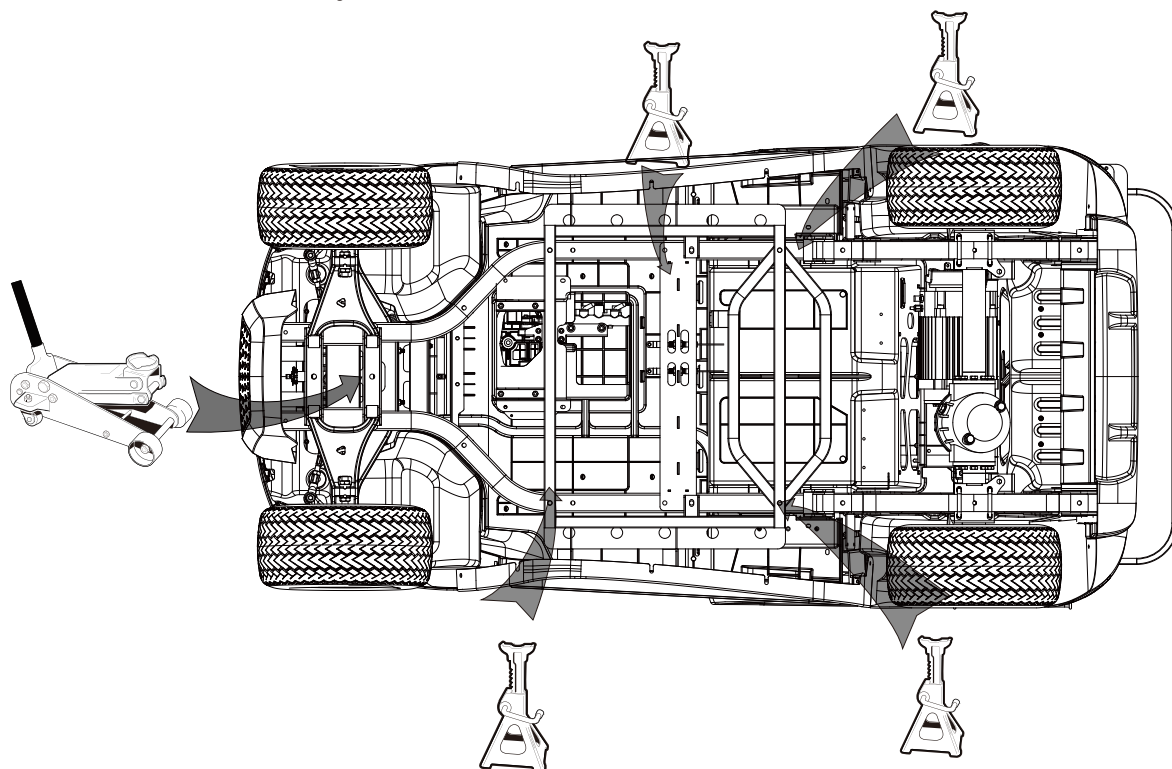
### LIFT AND LOWER THE VEHICLE



**LIFTING AND LOWERING THE VEHICLE WITH CARGO CAN CAUSE PROPERTY DAMAGED, SERIOUS PERSONAL INJURY, OR DEATH. REMOVE ALL CARGO AND HAVE THE PERSON OUT FROM THE VEHICLE BEFORE THE VEHICLE IS LIFTED.**

#### Steps For Lifting The Vehicle:

- > Before the vehicle is lifted, turn off key switch of the vehicle.
- > Choose the jacks and jack stands rated for the vehicle.
- > Engage the parking brake.
- > Place the jack in the center of the lift point.
- > Lift the front and rear of the vehicle.
- > Put the Jack stands under the frame rails.
- > Lower the vehicle onto the jack stands.

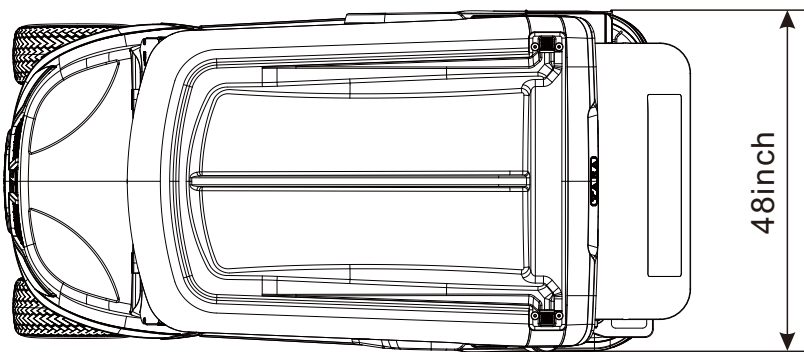
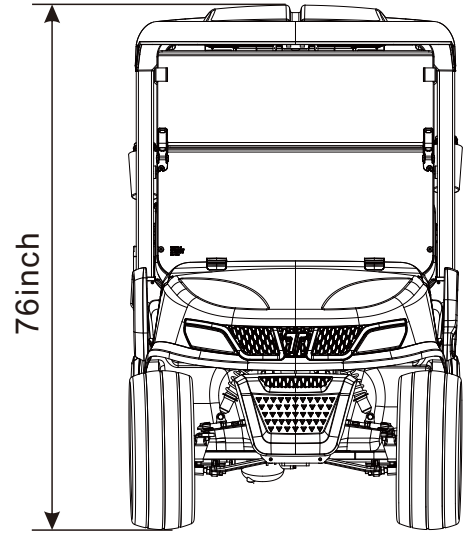
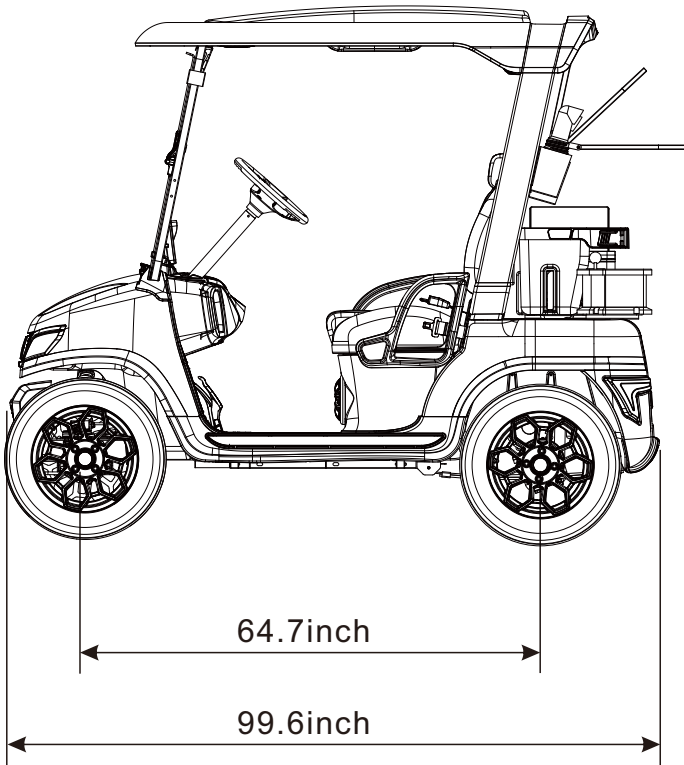


#### Steps For Lower The Vehicle:

- > Before the vehicle is lowered, turn off key switch of the vehicle.
- > Choose the jacks and jack stands rated for the vehicle.
- > Place the jack in the center of the lift point.
- > Lift the vehicle off from the jack stands.
- > Remove the jack stands under the frame rails.
- > Lower the vehicle on the ground.
- > Remove the jacks.

Be familiar with vehicle features before attempting any operations.

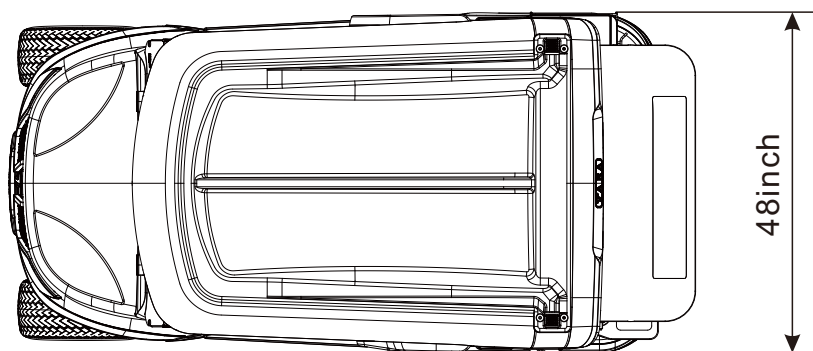
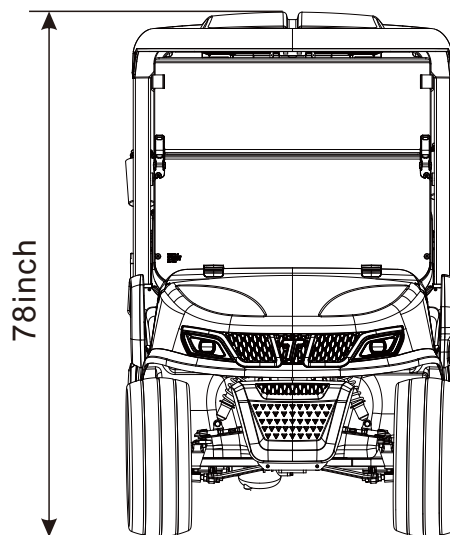
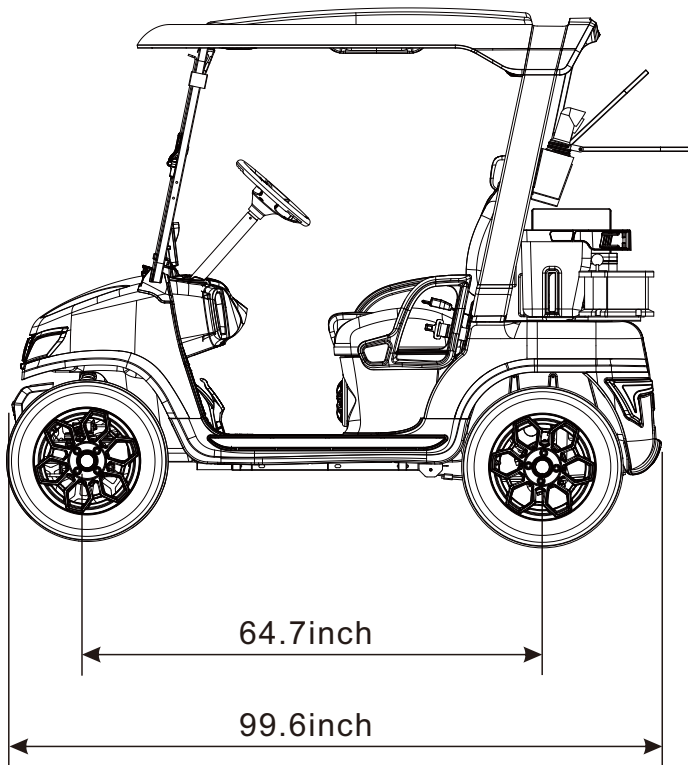
## VEHICLE GENERAL SPECIFICATIONS



## SPIRIT AIR

Be familiar with vehicle features before attempting any operations.

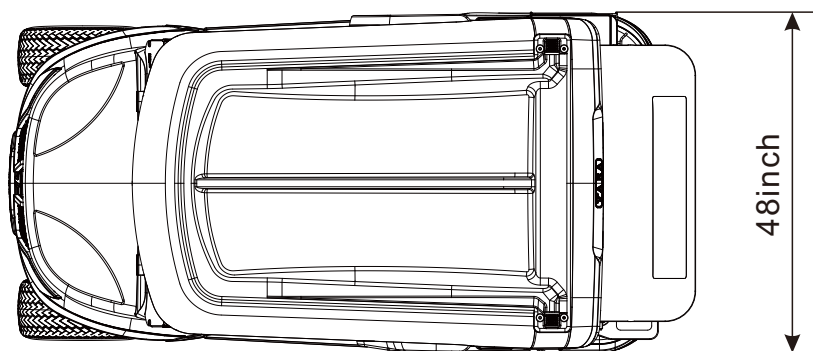
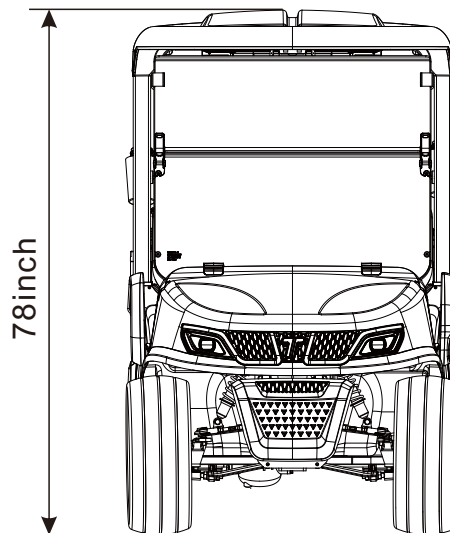
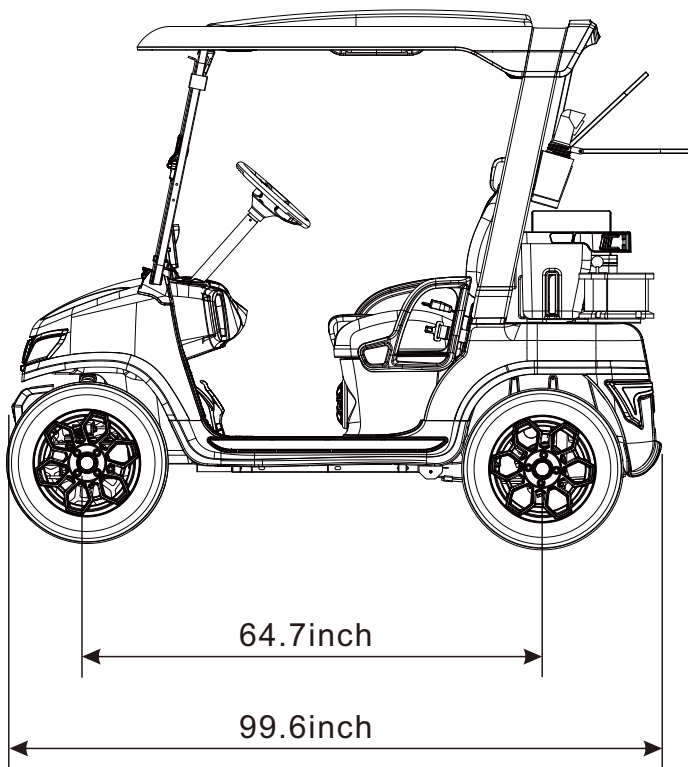
### VEHICLE GENERAL SPECIFICATIONS



### SPIRIT SERIES

Be familiar with vehicle features before attempting any operations.

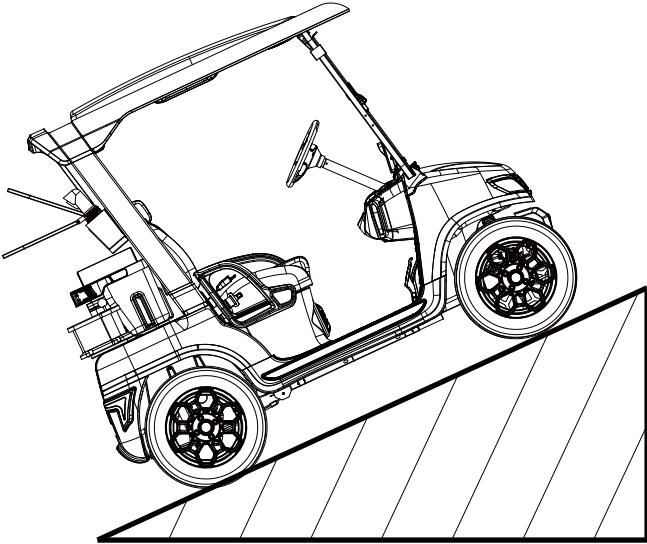
### VEHICLE GENERAL SPECIFICATIONS



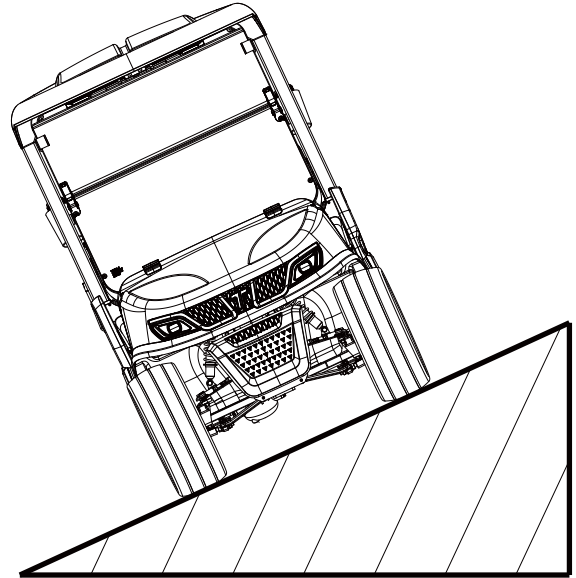
### SPIRIT PLUS

Be familiar with vehicle features before attempting any operations.

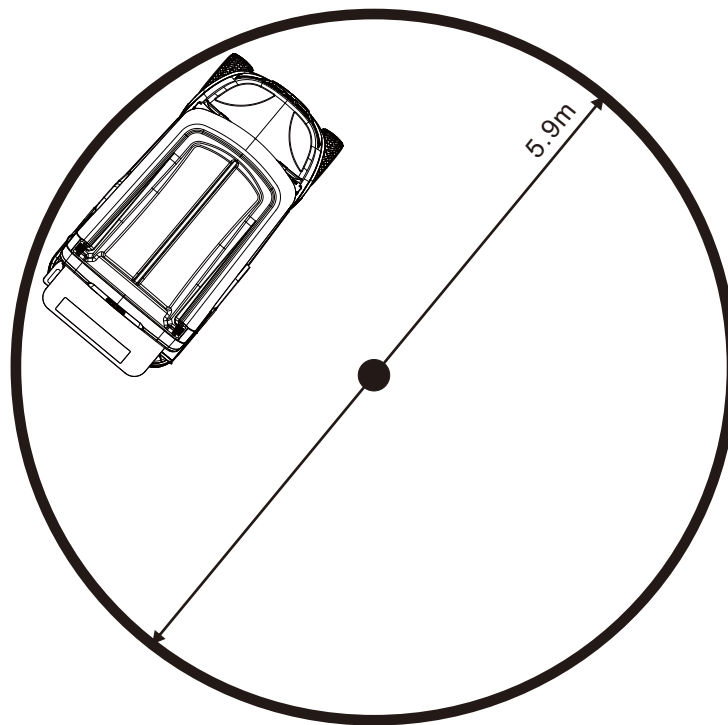
## VEHICLE GENERAL SPECIFICATIONS



**Recommended Max Ramp  
25% Grade**



**Recommended Max Side Tilt  
25% Grade**



**Vehicle Turning Clearance Diameter**





MAINTENANCE LOG

---

Read carefully all the safety statements before attempting any procedure.

---

---

---

---

---

---

---

---

---

---

---

---

---

---

---

---

---

---

---

---

---

---

---

---

---

---

---

---

---

---



TARA ELECTRIC VEHICLES INC  
California Headquarters: 15865 Quality Wy, Chino, CA 91708  
Tel: 909-590-4922